

Submersible Electric Pumps for drainage of dirty water equipped with grinder system

DOMO GRI Series



The DOMO GRI series electric pumps are equipped with an extremely efficient and highly reliable grinder system.

The grinder is able to macerate all the solids present in the sewage and to pass it through small discharge pipes (25 mm diameter). DOMO GRI is available in the 1,1 kW and 1,5 kW power.

DRIVELUB SEAL SYSTEM.

APPLICATIONS

- Pumping of sewage with suspended solids.
- Emptying of septic tanks and residential sumps.
- Draining of flooded areas.
- Pumping water from a pressurized sewer network.

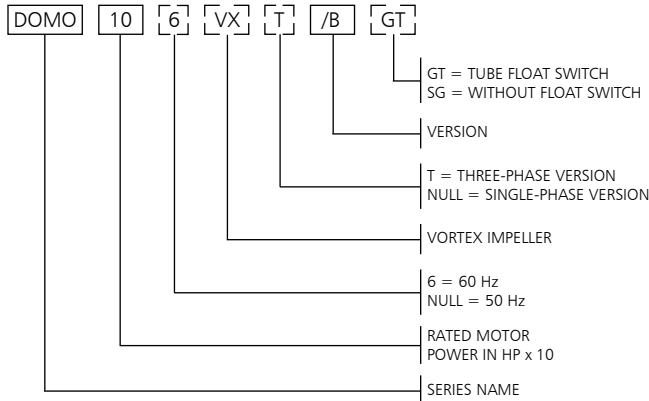
SPECIFICATIONS

- **Maximum liquid temperature:** 35°C with fully submerged pump.
- **Dry motor.**
- **Power cord: H07RN-F**
 - single-phase: with plug.
 - three-phase: without plug.
- **Insulation class 155°C (F).**
 - **IPX8 protection.**
 - **Maximum immersion depth: 5 m.**
 - **Versions:**
 - Single-phase: 220-240V, 50Hz 2 poles.
 - Three-phase: 220-240V, 50Hz 2 poles.
 - 380-415V, 50Hz 2 poles.
- **Motor power:**
 - **1,1 kW** single-phase and three-phase.
 - **1,5 kW** single-phase and three-phase.
- **The single-phase versions** feature:
 - **pre-assembled float switch** for automatic pump operation.
 - **built-in capacitor (only for 1,1 kW).**
 - **thermo-amperometric overload protection** to stop pump supply in case of overheating.
- **DOMO GRI pumps feature:**
 - **Rp 1" threaded delivery port (female gas)** for 1,1kW (11/A).
 - **Rp 1"1/4 threaded delivery port (female gas)** for 1,1kW (11/HF) and 1,5kW (15).
 - technopolymer PBT **Impeller.**
 - high resistance stainless steel **grinder.**

DRIVELUB SEAL SYSTEM

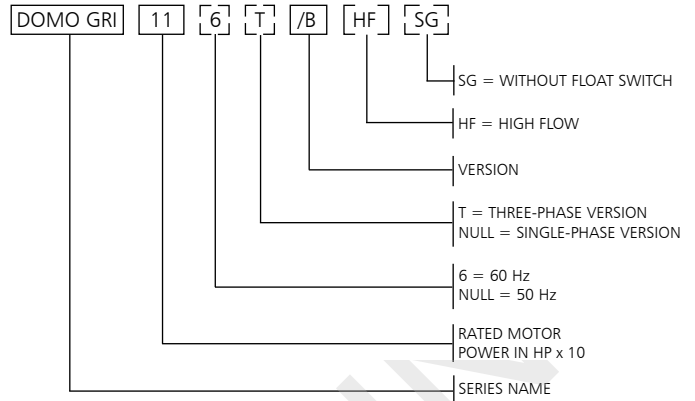
- Watertight electric motor protected by multiple seal system with **oil chamber**. A **V-ring** and **silicon carbide mechanical seal** (extremely resistant to wear and abrasion), as well as a **lip seal** which is continuously lubricated by the **DRIVELUB system**, provide an extreme barrier against infiltration.

DOMO SERIES IDENTIFICATION CODE



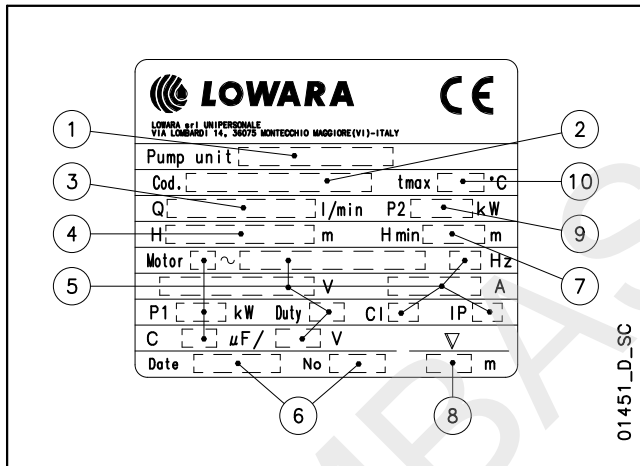
EXAMPLE : DOMO 10/B
 DOMO Series Electric pump, rated motor power 1 HP, 50 Hz version, single-phase, /B version.

DOMO GRI SERIES IDENTIFICATION CODE



EXAMPLE : DOMO GRI 11
 DOMO GRI (grinder) Series Electric pump, rated motor power 1,1 kW, 50 Hz version, single-phase.

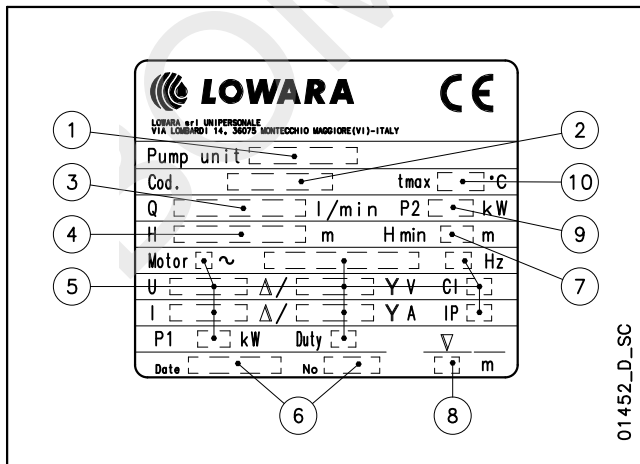
SINGLE-PHASE RATING PLATE



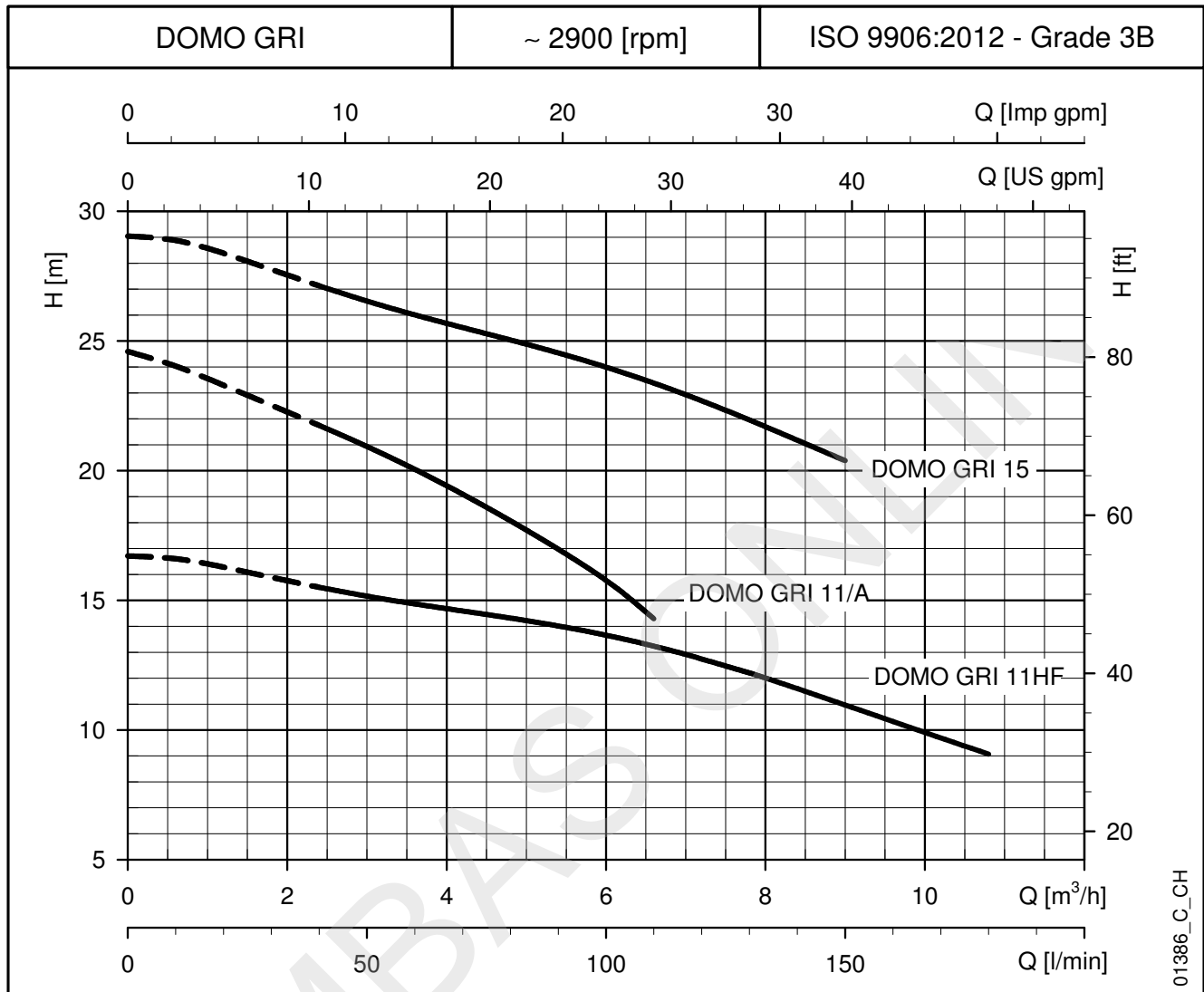
LEGEND

- 1 - Electric pump type
- 2 - Code
- 3 - Delivery range
- 4 - Head range
- 5 - Motor type
- 6 - Date of manufacture and serial number
- 7 - Minimum head
- 8 - Maximum immersion depth
- 9 - Rated output
- 10 - Maximum liquid temperature

THREE-PHASE RATING PLATE



**DOMO GRI SERIES
OPERATING CHARACTERISTICS AT 50 Hz**



HYDRAULIC PERFORMANCE TABLE

PUMP TYPE	RATED POWER		Q = DELIVERY										
			l/s	0,7	0,9	1,1	1,7	1,9	2,2	2,4	2,6	2,8	3,0
	kW	HP	m³/h	2,4	3,2	3,9	6,2	7,0	7,7	8,5	9,3	10,0	10,8
DOMO GRI 11/A (SG)	1,1	1,5	24,6	21,7	20,7	19,5	15,3						
DOMO GRI 11T/A	1,1	1,5	24,6	21,7	20,7	19,5	15,3						
DOMO GRI 11 HF (SG)	1,1	1,5	16,7	15,5	15,1	14,7	13,5	12,9	12,3	11,5	10,7	9,9	9,1
DOMO GRI 11T HF	1,1	1,5	16,7	15,5	15,1	14,7	13,5	12,9	12,3	11,5	10,7	9,9	9,1
DOMO GRI 15 (SG)	1,5	2	29,0	27,1	26,4	25,7	23,8	23,0	22,0	21,0			
DOMO GRI 15T	1,5	2	29,0	27,1	26,4	25,7	23,8	23,0	22,0	21,0			

These performances are valid for liquids with density $\rho = 1,0 \text{ kg/dm}^3$ and kinematic viscosity $\nu = 1 \text{ mm}^2/\text{s}$.

domo-gri-2p50-en_c_th

ELECTRICAL DATA TABLE

PUMP TYPE	ABSORBED POWER*		CAPACITOR	PUMP TYPE	ABSORBED POWER*		ABSORBED CURRENT*
	SINGLE-PHASE	THREE-PHASE			THREE-PHASE	ABSORBED CURRENT*	
	kW	A	$\mu\text{F} / 450 \text{ V}$		kW	A	A
DOMO GRI 11/A (SG)	1,20	5,41	30	DOMO GRI 11T/A	1,11	3,85	2,22
DOMO GRI 11HF	1,09	4,97	30	DOMO GRI 11T HF	0,96	3,81	2,20
DOMO GRI 15 (SG)	1,93	8,44	40	DOMO GRI 15T	1,57	5,94	3,43

* Maximum value in specified range

domo-gri-2p50-en_d_te