

50 Hz



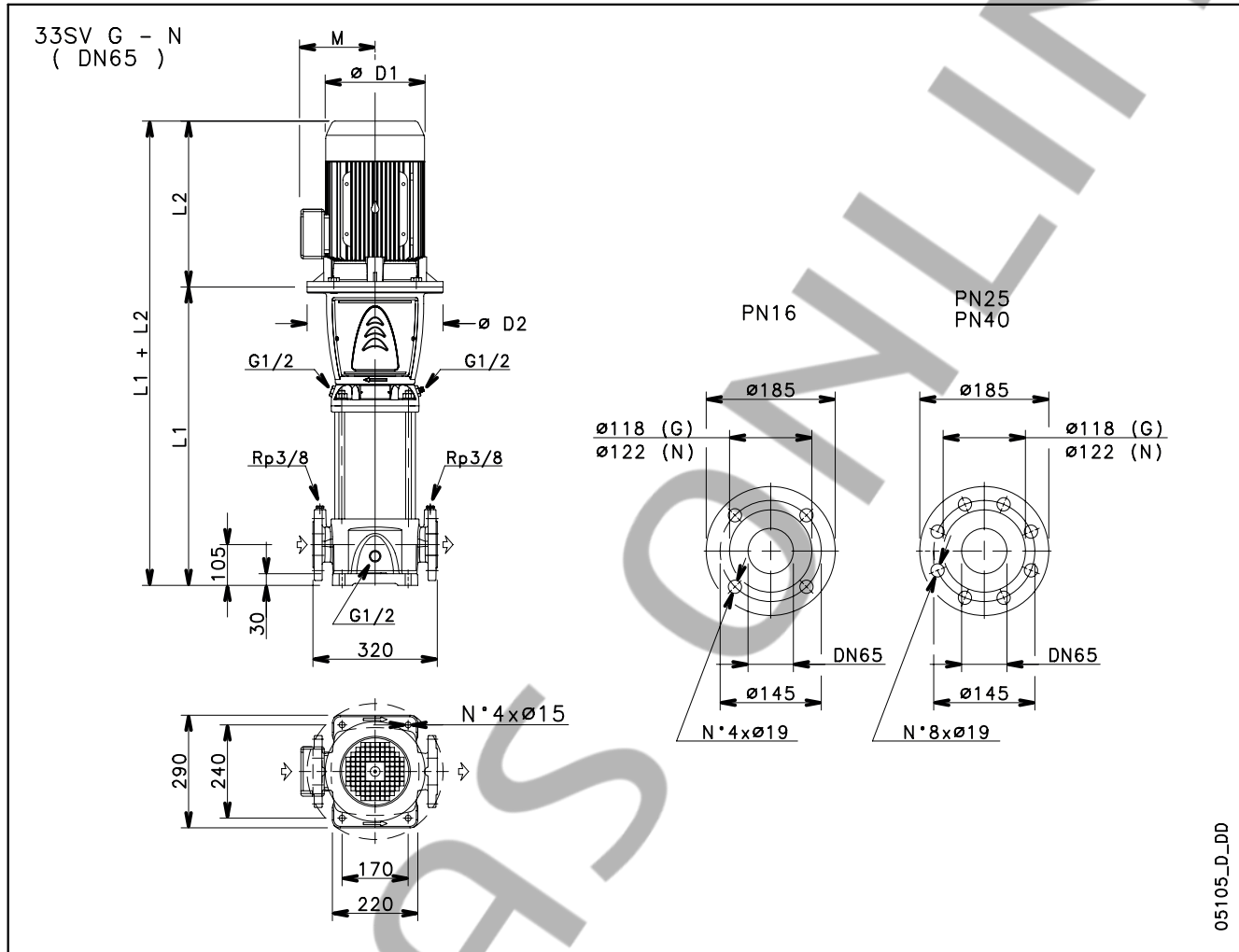
# e-SV™ Series

1, 3, 5, 10, 15, 22  
33, 46, 66, 92, 125

VERTICAL MULTISTAGE ELECTRIC PUMPS  
EQUIPPED WITH **IE3** MOTORS

ErP 2009/125/EC

**33SV SERIES**  
**DIMENSIONS AND WEIGHTS AT 50 Hz, 2 POLES**



PUMP TYPE	MOTOR		DIMENSIONS (mm)							WEIGHT kg	
	kW	SIZE	L1	L2	D1	D2	M	PN	PUMP	ELECTRIC PUMP	
33SV1/1A../D	2,2	90	489	298	174	164	134	16	52	73	
33SV1../D	3	100	489	298	174	164	134	16	52	73	
33SV2/2A../D	4	112	564	319	197	164	154	16	56	82,5	
33SV2/1A../D	4	112	564	319	197	164	154	16	56	82,5	
33SV2../D	5,5	132	584	375	214	300	168	16	61	98,5	
33SV3/2A../D	5,5	132	659	375	214	300	168	16	65	103	
33SV3/1A../D	7,5	132	659	367	256	300	191	16	65	121	
33SV3../D	7,5	132	659	367	256	300	191	16	65	121	
33SV4/2A../D	7,5	132	734	367	256	300	191	16	69	125	
33SV4/1A../D	11	160	769	428	256	350	191	16	73	143	
33SV4../D	11	160	769	428	256	350	191	16	73	143	
33SV5/2A../D	11	160	844	428	256	350	191	16	77	147	
33SV5/1A../D	11	160	844	428	256	350	191	16	77	147	
33SV5../D	15	160	844	494	313	350	240	16	77	179	
33SV6/2A../D	15	160	919	494	313	350	240	16	81	183	
33SV6/1A../D	15	160	919	494	313	350	240	25	81	183	
33SV6../D	15	160	919	494	313	350	240	25	81	183	
33SV7/2A../D	15	160	994	494	313	350	240	25	84	186	
33SV7/1A../D	18,5	160	994	494	313	350	240	25	84	195	

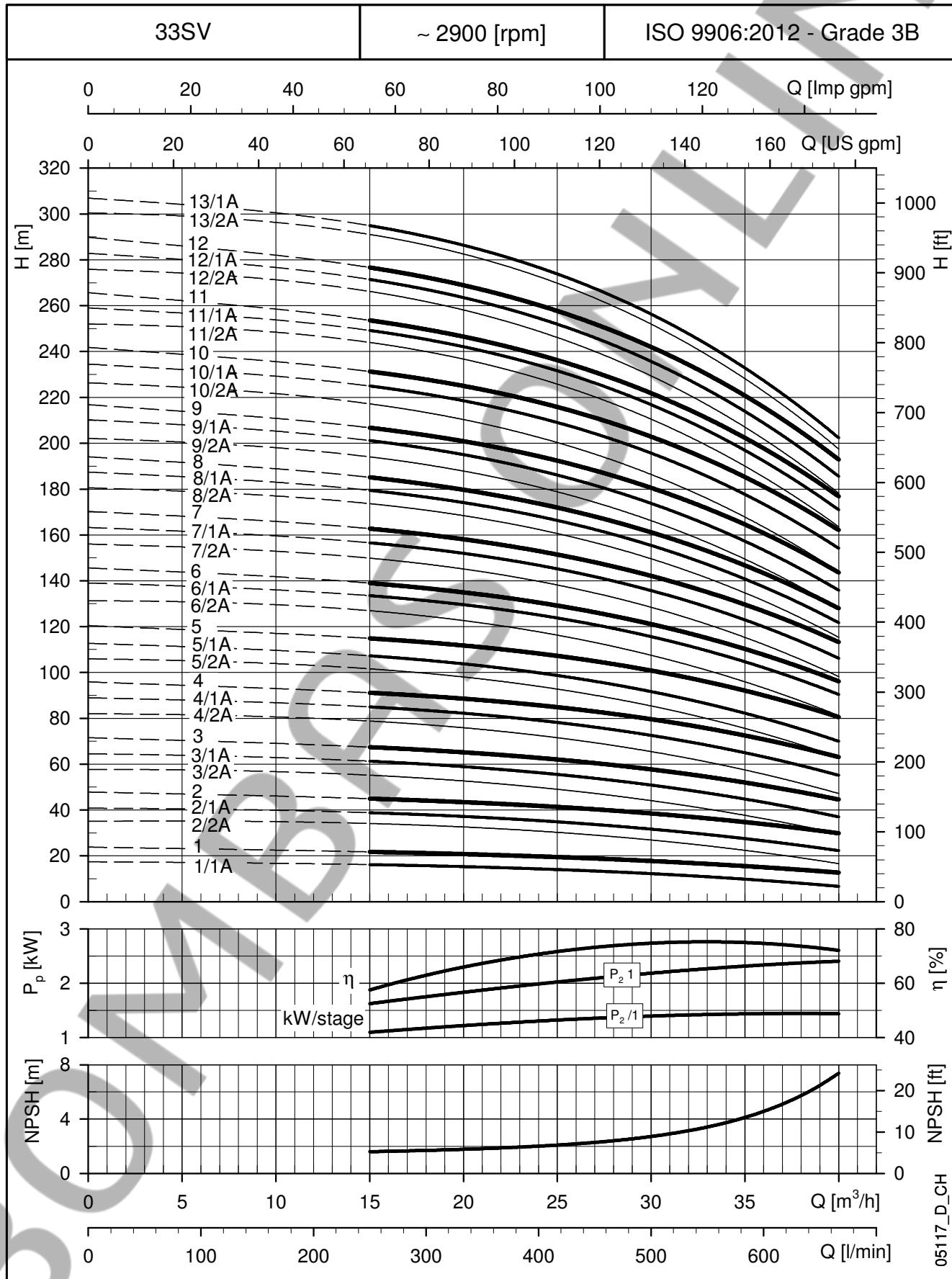
PUMP TYPE	MOTOR		DIMENSIONS (mm)							WEIGHT kg	
	kW	SIZE	L1	L2	D1	D2	M	PN	PUMP	ELECTRIC PUMP	
33SV7../D	18,5	160	994	494	313	350	240	25	84	195	
33SV8/2A../D	18,5	160	1069	494	313	350	240	25	88	199	
33SV8/1A../D	18,5	160	1069	494	313	350	240	25	88	199	
33SV8../D	22	180	1069	494	313	350	240	25	89	210	
33SV9/2A../D	22	180	1144	494	313	350	240	25	93	214	
33SV9/1A../D	22	180	1144	494	313	350	240	25	93	214	
33SV9../D	22	180	1144	494	313	350	240	25	93	214	
33SV10/2A../D	22	180	1219	494	313	350	240	25	97	218	
33SV10/1A../D	30	200	1219	657	402	400	317	25	104	319	
33SV10../D	30	200	1219	657	402	400	317	25	104	319	
33SV11/2A../D	30	200	1294	657	402	400	317	40	118	333	
33SV11/1A../D	30	200	1294	657	402	400	317	40	118	333	
33SV11../D	30	200	1294	657	402	400	317	40	118	333	
33SV12/2A../D	30	200	1369	657	402	400	317	40	122	337	
33SV12/1A../D	30	200	1369	657	402	400	317	40	122	337	
33SV12../D	30	200	1369	657	402	400	317	40	122	337	
33SV13/2A../D	30	200	1444	657	402	400	317	40	127	342	
33SV13/1A../D	30	200	1444	657	402	400	317	40	127	342	



a xylem brand

**33SV SERIES**

**OPERATING CHARACTERISTICS AT 50 Hz, 2 POLES**



These performances are valid for liquids with density  $\rho = 1.0 \text{ Kg/dm}^3$  and kinematic viscosity  $\nu = 1 \text{ mm}^2/\text{sec}$ .