

50 Hz



## e-NSC Series

HORIZONTAL CENTRIFUGAL ELECTRIC PUMPS  
EQUIPPED WITH **IE3** MOTORS

ErP 2009/125/EC

### e-NSC 200-250-300 SERIES HYDRAULIC PERFORMANCE RANGE AT 50 Hz, 4 POLES

| PUMP TYPE                             | P <sub>N</sub><br>kW | Ø Impeller (mm) |          |          |                  | Q = DELIVERY        |      |      |      |       |       |       |       |       |       |       |       |       |
|---------------------------------------|----------------------|-----------------|----------|----------|------------------|---------------------|------|------|------|-------|-------|-------|-------|-------|-------|-------|-------|-------|
|                                       |                      | STD<br>(1)      | B<br>(2) | ●<br>(3) | η <sub>p</sub> % | vs 0                | 38,1 | 62,4 | 86,7 | 111,0 | 135,3 | 159,6 | 184,0 | 208,3 | 232,6 | 256,9 | 281,2 | 305,6 |
|                                       |                      |                 |          |          |                  | m <sup>3</sup> /h 0 | 137  | 225  | 312  | 400   | 487   | 575   | 662   | 750   | 837   | 925   | 1012  | 1100  |
| H = TOTAL HEAD METRES COLUMN OF WATER |                      |                 |          |          |                  |                     |      |      |      |       |       |       |       |       |       |       |       |       |
| 200-250/185                           | 18,5                 | 228             | 228      | ○        | 78,6             | 15,7                | 15,3 | 14,8 | 13,7 | 12,2  | 10,6  | 8,9   | 6,8   |       |       |       |       |       |
| 200-250/220                           | 22                   | 245             | 245      | ○        | 81,6             | 18,5                |      | 17,2 | 16,2 | 14,8  | 13,1  | 11,1  | 8,7   |       |       |       |       |       |
| 200-250/300A                          | 30                   | 260             | 260      | ○        | 83,9             | 21,2                |      | 19,7 | 18,7 | 17,4  | 15,8  | 13,7  | 11,2  | 8,4   |       |       |       |       |
| 200-250/300                           | 30                   | 271             | 271      | ●        | 85,0             | 23,1                |      | 21,5 | 20,5 | 19,4  | 17,9  | 16,0  | 13,6  | 10,8  |       |       |       |       |
| 200-315/300                           | 30                   | 268             | 268      | ○        | 80,7             | 22,1                | 21,7 | 21,3 | 20,7 | 19,6  | 17,7  | 14,9  | 11,3  |       |       |       |       |       |
| 200-315/450                           | 37                   | 287             | 287      | ○        | 82,9             | 25,3                |      | 24,6 | 24,2 | 23,3  | 21,7  | 19,3  | 15,9  | 11,8  |       |       |       |       |
| 200-315/370                           | 45                   | 306             | 306      | ○        | 84,8             | 29,0                |      | 28,3 | 28,1 | 27,4  | 26,1  | 23,9  | 20,8  | 16,8  | 12,3  |       |       |       |
| 200-315/550                           | 55                   | 328             | 328      | ○        | 86,1             | 34,1                |      | 33,2 | 32,8 | 32,1  | 30,9  | 28,8  | 26,0  | 22,2  | 17,8  |       |       |       |
| 200-315/750                           | 75                   | 333             | 333      | ●        | 86,3             | 35,1                |      | 34,3 | 34,0 | 33,3  | 32,0  | 29,9  | 27,1  | 23,4  | 19,1  |       |       |       |
| 200-400/750A                          | 75                   | 328             | 328      | ○        | 83,4             | 37,2                |      | 37,0 | 36,7 | 35,7  | 33,8  | 31,0  | 27,0  | 22,0  |       |       |       |       |
| 200-400/750                           | 75                   | 342             | 342      | ○        | 83,5             | 41,0                |      | 40,6 | 40,3 | 39,4  | 37,7  | 35,0  | 31,3  | 26,5  |       |       |       |       |
| 200-400/900                           | 90                   | 362             | 362      | ○        | 84,2             | 46,5                |      | 46,0 | 45,7 | 44,9  | 43,4  | 41,1  | 37,7  | 33,3  | 27,9  |       |       |       |
| 200-400/1100                          | 110                  | 383             | 383      | ○        | 85,4             | 52,4                |      | 52,2 | 51,9 | 51,2  | 50,0  | 48,0  | 45,1  | 41,2  | 36,2  |       |       |       |
| 200-400/1320                          | 132                  | 409             | 409      | ●        | 85,5             | 60,1                |      | 59,8 | 59,6 | 59,0  | 57,9  | 56,1  | 53,5  | 50,0  | 45,4  | 39,6  |       |       |
| 200-500/1320                          | 132                  | 425             | 425      | ○        | 80,5             | 64,3                |      | 64,4 | 63,7 | 62,5  | 60,2  | 56,4  | 50,8  | 43,3  | 34,2  |       |       |       |
| 200-500/1600                          | 160                  | 450             | 450      | ○        | 81,2             | 72,8                |      | 72,7 | 72,2 | 71,0  | 69,0  | 65,8  | 61,2  | 55,0  | 46,9  |       |       |       |
| 200-500/2000                          | 200                  | 480             | 480      | ○        | 82,6             | 83,8                |      | 83,6 | 83,1 | 82,1  | 80,3  | 77,7  | 74,0  | 69,1  | 62,5  | 53,8  |       |       |
| 200-500/2500                          | 250                  | 508             | 508      | ○        | 83,0             | 94,3                |      | 93,8 | 93,3 | 92,3  | 90,7  | 88,3  | 85,1  | 81,0  | 75,8  | 69,2  | 60,7  |       |
| 200-500/3150                          | 315                  | 523             | 523      | ●        | 83,3             | 100,3               |      | 99,6 | 99,1 | 98,1  | 96,4  | 94,1  | 91,0  | 87,2  | 82,5  | 76,6  | 69,1  | 59,6  |

| PUMP TYPE                             | P <sub>N</sub><br>kW | Ø Impeller (mm) |          |          |                  | Q = DELIVERY        |      |      |       |       |       |       |       |       |       |       |       |       |
|---------------------------------------|----------------------|-----------------|----------|----------|------------------|---------------------|------|------|-------|-------|-------|-------|-------|-------|-------|-------|-------|-------|
|                                       |                      | STD<br>(1)      | B<br>(2) | ●<br>(3) | η <sub>p</sub> % | vs 0                | 61,9 | 94,2 | 126,4 | 158,7 | 190,9 | 223,2 | 255,4 | 287,7 | 319,9 | 352,2 | 384,4 | 416,7 |
|                                       |                      |                 |          |          |                  | m <sup>3</sup> /h 0 | 223  | 339  | 455   | 571   | 687   | 803   | 920   | 1036  | 1152  | 1268  | 1384  | 1500  |
| H = TOTAL HEAD METRES COLUMN OF WATER |                      |                 |          |          |                  |                     |      |      |       |       |       |       |       |       |       |       |       |       |
| 250-315/370                           | 37                   | 255             | 255      | ○        | 81,1             | 19,4                | 19,2 | 18,5 | 17,7  | 16,7  | 15,3  | 13,3  | 10,4  |       |       |       |       |       |
| 250-315/450                           | 45                   | 273             | 273      | ○        | 83,1             | 22,7                |      | 21,8 | 21,0  | 20,1  | 18,9  | 16,9  | 13,8  | 10,0  |       |       |       |       |
| 250-315/550                           | 55                   | 290             | 290      | ○        | 84,5             | 26,1                |      | 24,8 | 24,3  | 23,6  | 22,6  | 20,7  | 18,0  | 14,5  |       |       |       |       |
| 250-315/750                           | 75                   | 316             | 316      | ●        | 85,7             | 31,5                |      | 29,9 | 29,5  | 29,1  | 28,4  | 27,1  | 25,0  | 22,1  | 18,6  |       |       |       |
| 250-400/750                           | 75                   | 325             | 325      | ○        | 82,0             | 35,4                |      | 35,2 | 34,3  | 32,5  | 29,9  | 26,3  | 21,8  | 16,4  |       |       |       |       |
| 250-400/900                           | 90                   | 344             | 344      | ○        | 82,9             | 39,8                |      | 39,8 | 39,2  | 37,9  | 35,6  | 32,3  | 27,9  | 22,5  |       |       |       |       |
| 250-400/1100                          | 110                  | 365             | 365      | ○        | 84,0             | 45,1                |      | 45,0 | 44,8  | 43,8  | 42,0  | 39,1  | 35,1  | 30,0  | 23,9  |       |       |       |
| 250-400/1320                          | 132                  | 386             | 386      | ○        | 85,1             | 50,8                |      | 50,6 | 50,4  | 49,7  | 48,1  | 45,6  | 42,0  | 37,3  | 31,5  |       |       |       |
| 250-400/1600                          | 160                  | 407             | 407      | ○        | 85,8             | 56,9                |      | 56,4 | 56,2  | 55,6  | 54,2  | 52,0  | 48,9  | 44,7  | 39,4  | 33,0  |       |       |
| 250-400/2000                          | 200                  | 425             | 425      | ●        | 86,5             | 62,7                |      | 62,0 | 61,6  | 60,9  | 59,6  | 57,6  | 54,9  | 51,2  | 46,5  | 40,6  |       |       |
| 250-500/1600                          | 160                  | 420             | 420      | ○        | 82,3             | 61,1                |      | 61,6 | 60,8  | 59,2  | 56,4  | 52,2  | 46,3  | 38,1  |       |       |       |       |
| 250-500/2000                          | 200                  | 448             | 448      | ○        | 84,5             | 70,3                |      | 71,0 | 70,7  | 69,6  | 67,6  | 64,1  | 59,0  | 51,8  | 42,3  |       |       |       |
| 250-500/2500                          | 250                  | 477             | 477      | ○        | 84,6             | 80,5                |      | 81,0 | 80,6  | 79,7  | 78,2  | 75,6  | 71,8  | 66,3  | 58,8  | 48,9  |       |       |
| 250-500/3150                          | 315                  | 508             | 508      | ○        | 84,9             | 92,6                |      | 93,3 | 92,7  | 91,6  | 90,0  | 87,6  | 84,5  | 80,3  | 74,8  | 67,8  | 58,9  |       |
| 250-500/3550                          | 355                  | 523             | 523      | ●        | 85,0             | 98,3                |      | 99,0 | 98,4  | 97,3  | 95,7  | 93,6  | 90,6  | 86,8  | 81,9  | 75,7  | 68,0  | 58,5  |

| PUMP TYPE                             | P <sub>N</sub><br>kW | Ø Impeller (mm) |          |          |                  | Q = DELIVERY        |      |       |       |       |       |       |       |       |       |       |       |       |
|---------------------------------------|----------------------|-----------------|----------|----------|------------------|---------------------|------|-------|-------|-------|-------|-------|-------|-------|-------|-------|-------|-------|
|                                       |                      | STD<br>(1)      | B<br>(2) | ●<br>(3) | η <sub>p</sub> % | vs 0                | 92,8 | 132,3 | 171,9 | 211,4 | 251,0 | 290,5 | 330,1 | 369,6 | 409,1 | 448,7 | 488,2 | 527,8 |
|                                       |                      |                 |          |          |                  | m <sup>3</sup> /h 0 | 334  | 476   | 619   | 761   | 903   | 1046  | 1188  | 1331  | 1473  | 1615  | 1758  | 1900  |
| H = TOTAL HEAD METRES COLUMN OF WATER |                      |                 |          |          |                  |                     |      |       |       |       |       |       |       |       |       |       |       |       |
| 300-350/750A                          | 75                   | 285             | 285      | ○        | 79,0             | 24,4                |      | 22,4  | 21,4  | 20,0  | 18,3  | 16,3  | 13,9  | 11,3  | 8,2   |       |       |       |
| 300-350/750                           | 75                   | 315             | 315      | ○        | 82,2             | 30,5                |      | 28,1  | 26,8  | 25,3  | 23,4  | 21,2  | 18,7  | 15,9  | 12,7  | 9,1   |       |       |
| 300-350/900                           | 90                   | 332             | 332      | ○        | 83,2             | 34,7                |      | 32,0  | 30,7  | 29,1  | 27,3  | 25,2  | 22,7  | 19,9  | 16,8  | 13,3  |       |       |
| 300-350/1100                          | 110                  | 354             | 354      | ●        | 85,8             | 39,7                |      | 37,1  | 36,0  | 34,6  | 32,9  | 30,9  | 28,5  | 25,8  | 22,7  | 19,2  | 15,4  |       |
| 300-400/1100                          | 110                  | 346             | 346      | ○        | 88,2             | 36,2                |      | 36,3  | 35,9  | 34,9  | 33,2  | 30,8  | 27,6  | 23,7  | 19,1  |       |       |       |
| 300-400/1320                          | 132                  | 367             | 367      | ○        | 87,5             | 41,9                |      | 41,4  | 41,0  | 40,2  | 38,8  | 36,6  | 33,6  | 29,7  | 25,0  | 19,7  |       |       |
| 300-400/1600                          | 160                  | 390             | 390      | ○        | 86,0             | 48,0                |      | 47,2  | 46,9  | 46,3  | 45,3  | 43,6  | 41,0  | 37,4  | 32,8  | 27,4  | 21,5  |       |
| 300-400/2000                          | 200                  | 416             | 416      | ○        | 84,2             | 56,2                |      | 55,0  | 54,7  | 54,2  | 53,2  | 51,7  | 49,5  | 46,5  | 42,6  | 37,8  | 32,1  |       |
| 300-400/2500                          | 250                  | 425             | 425      | ●        | 82,9             | 59,3                |      | 57,9  | 57,5  | 56,9  | 56,0  | 54,5  | 52,5  | 49,7  | 46,1  | 41,6  | 36,0  | 29,4  |
| 300-450/1600                          | 160                  | 404             | 404      | ○        | 86,6             | 52,5                | 53,1 | 52,5  | 51,4  | 49,8  | 47,6  | 44,8  | 41,5  | 37,5  | 32,9  |       |       |       |
| 300-450/2000                          | 200                  | 430             | 430      | ○        | 88,0             | 60,7                |      | 60,2  | 59,4  | 58,1  | 56,3  | 53,8  | 50,7  | 46,9  | 42,3  | 36,9  |       |       |
| 300-450/2500                          | 250                  | 456             | 456      | ○        | 88,1             | 69,1                |      | 69,0  | 68,0  | 66,7  | 65,0  | 62,9  | 60,3  | 57,0  | 53,1  | 48,1  |       |       |
| 300-450/3150                          | 315                  | 470             | 470      | ●        | 89,0             | 74,9                |      | 73,5  | 72,8  | 71,6  | 70,0  | 67,9  | 65,4  | 62,4  | 58,8  | 54,5  | 49,3  |       |

Hydraulic performances in compliance with ISO 9906:2012 - Grade 3B (ex ISO 9906:1999 - Annex A)

Nsc-200-300\_4p50-en\_c\_th

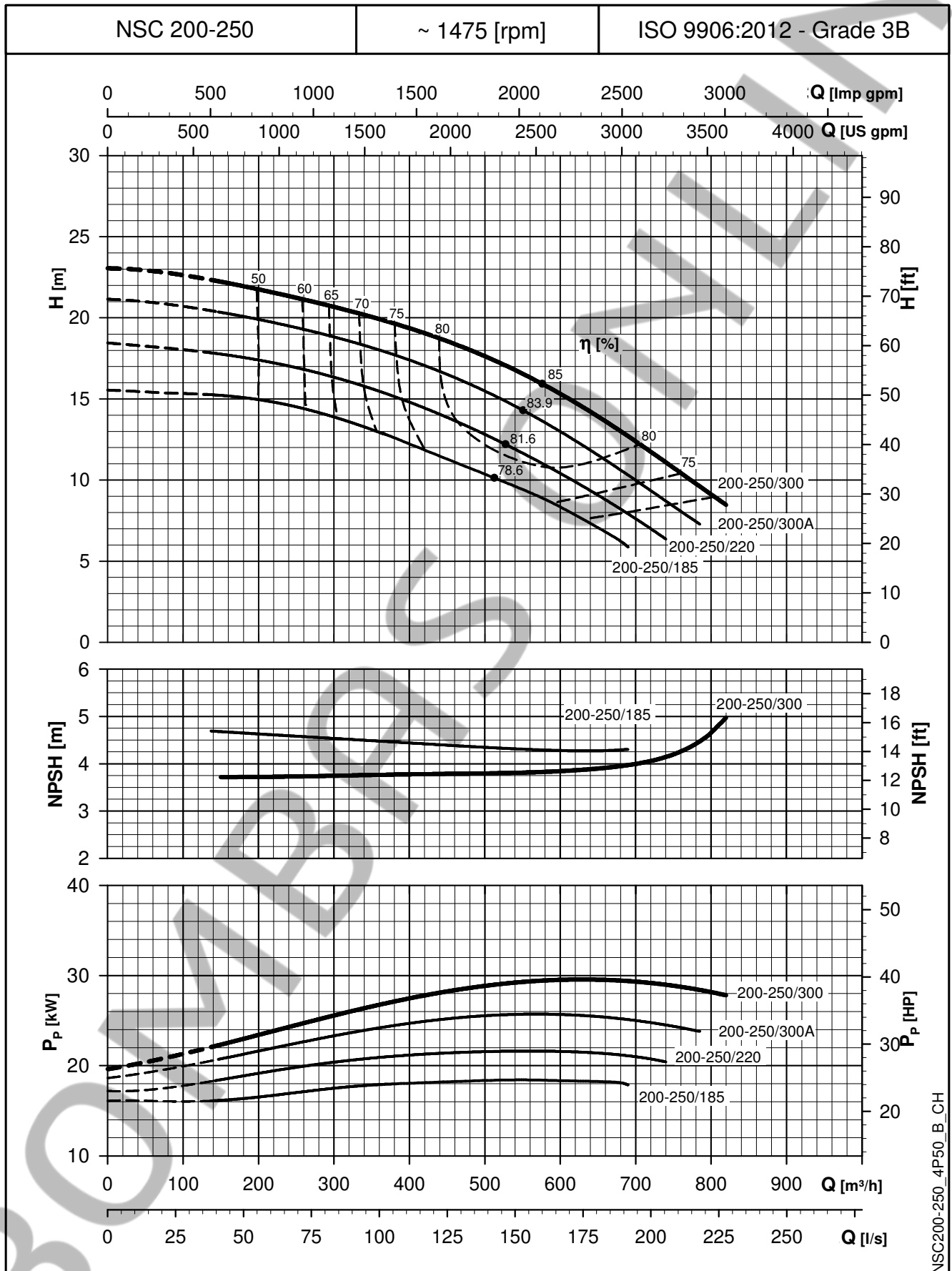
(1) STD = Cast iron/Stainless steel - B = Bronze (2) ● = Full impeller diameter - ○ = Trimmed impeller diameter (3) Hydraulic efficiency of pump.



a xylem brand

**e-NSC SERIES**

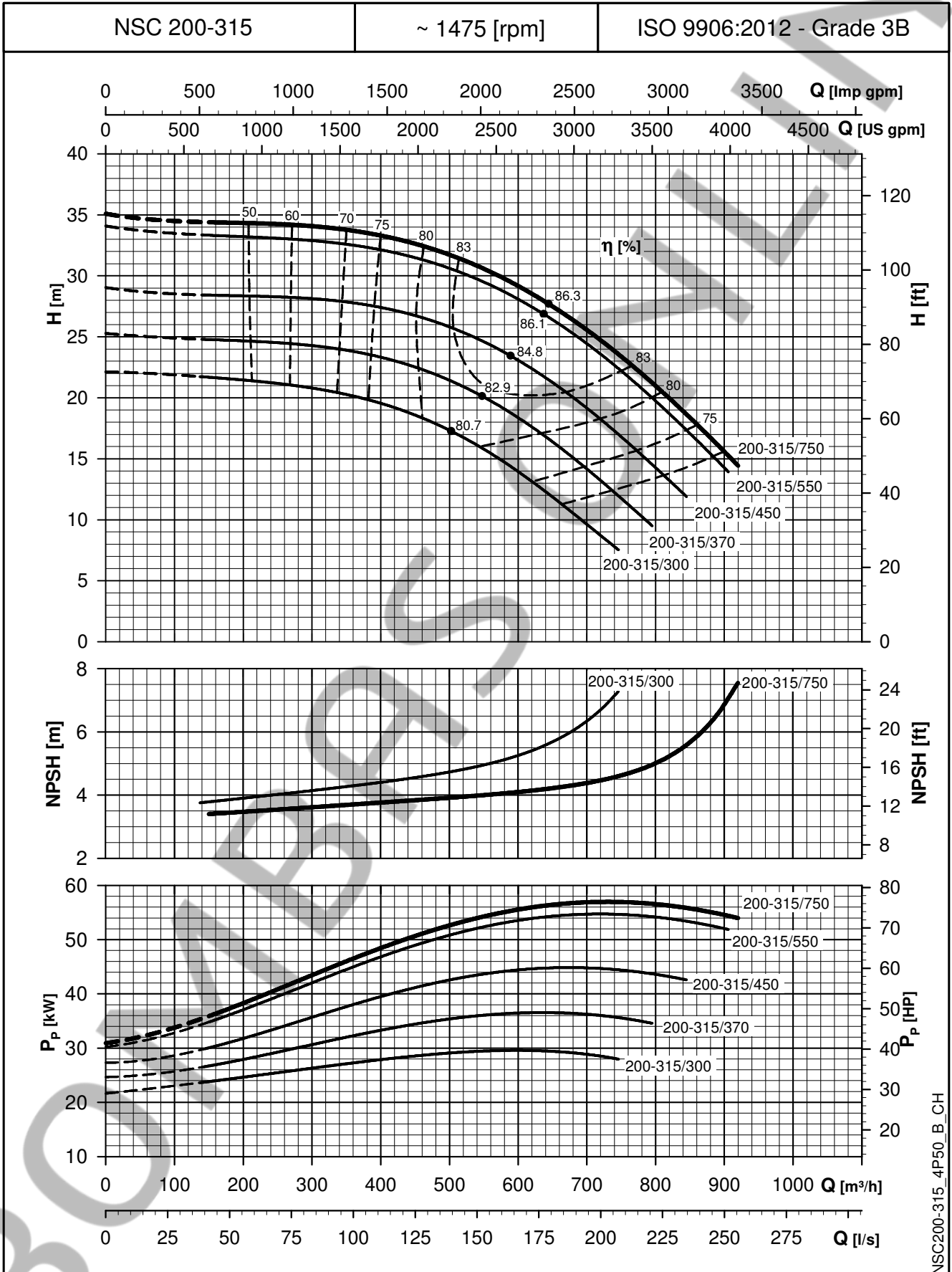
**OPERATING CHARACTERISTICS AT 50 Hz, 4 POLES**



NSC200-250\_4P50\_B\_CH

The NPSH values are laboratory values; for practical use we suggest increasing these values by 0,5 m.  
 These performances are valid for liquids with density  $\rho = 1,0 \text{ Kg/dm}^3$  and kinematic viscosity  $\nu = 1 \text{ mm}^2/\text{sec}$ .

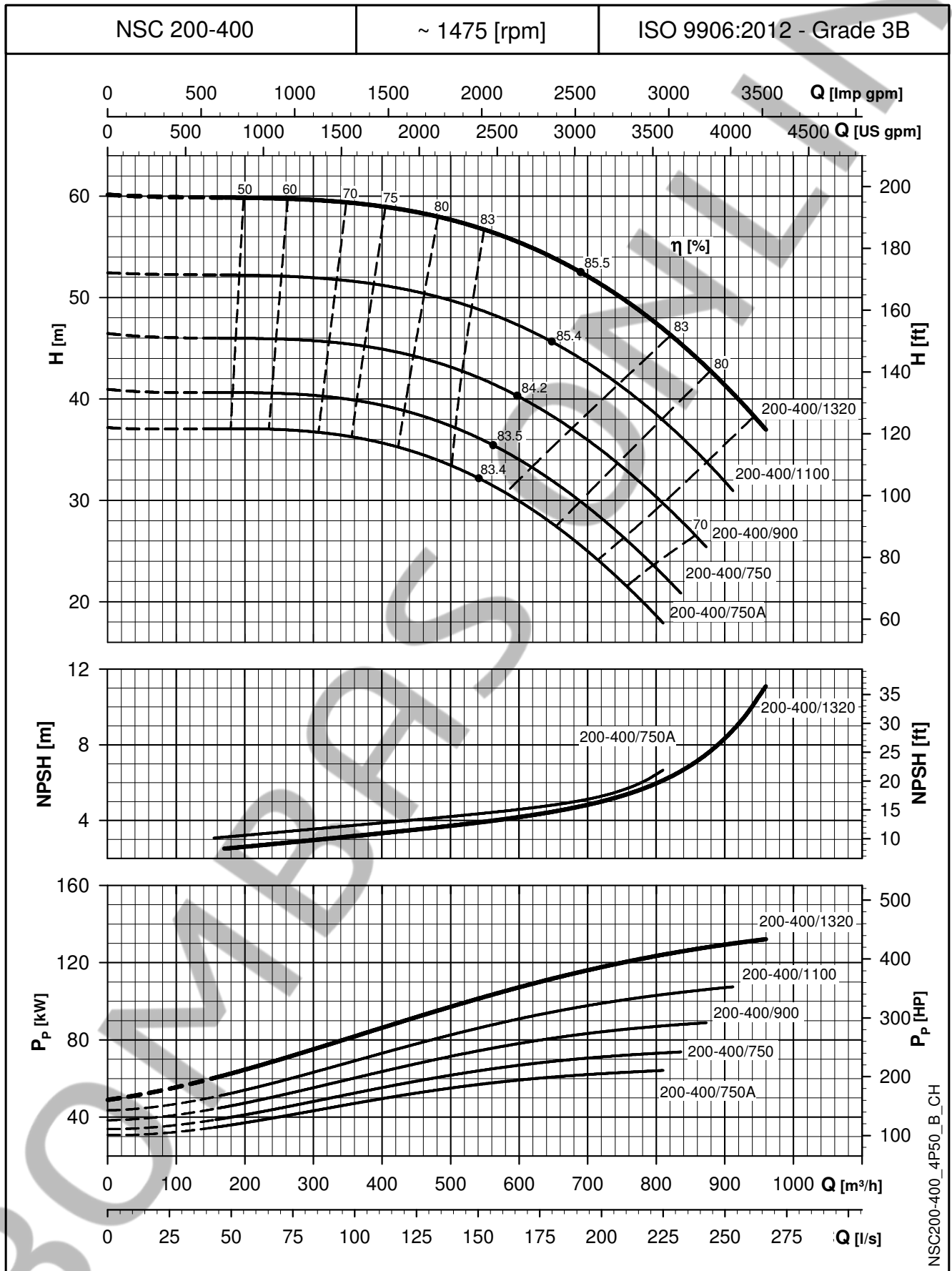
**e-NSC SERIES**  
**OPERATING CHARACTERISTICS AT 50 Hz, 4 POLES**



NSC200-315\_4P50\_B\_CH

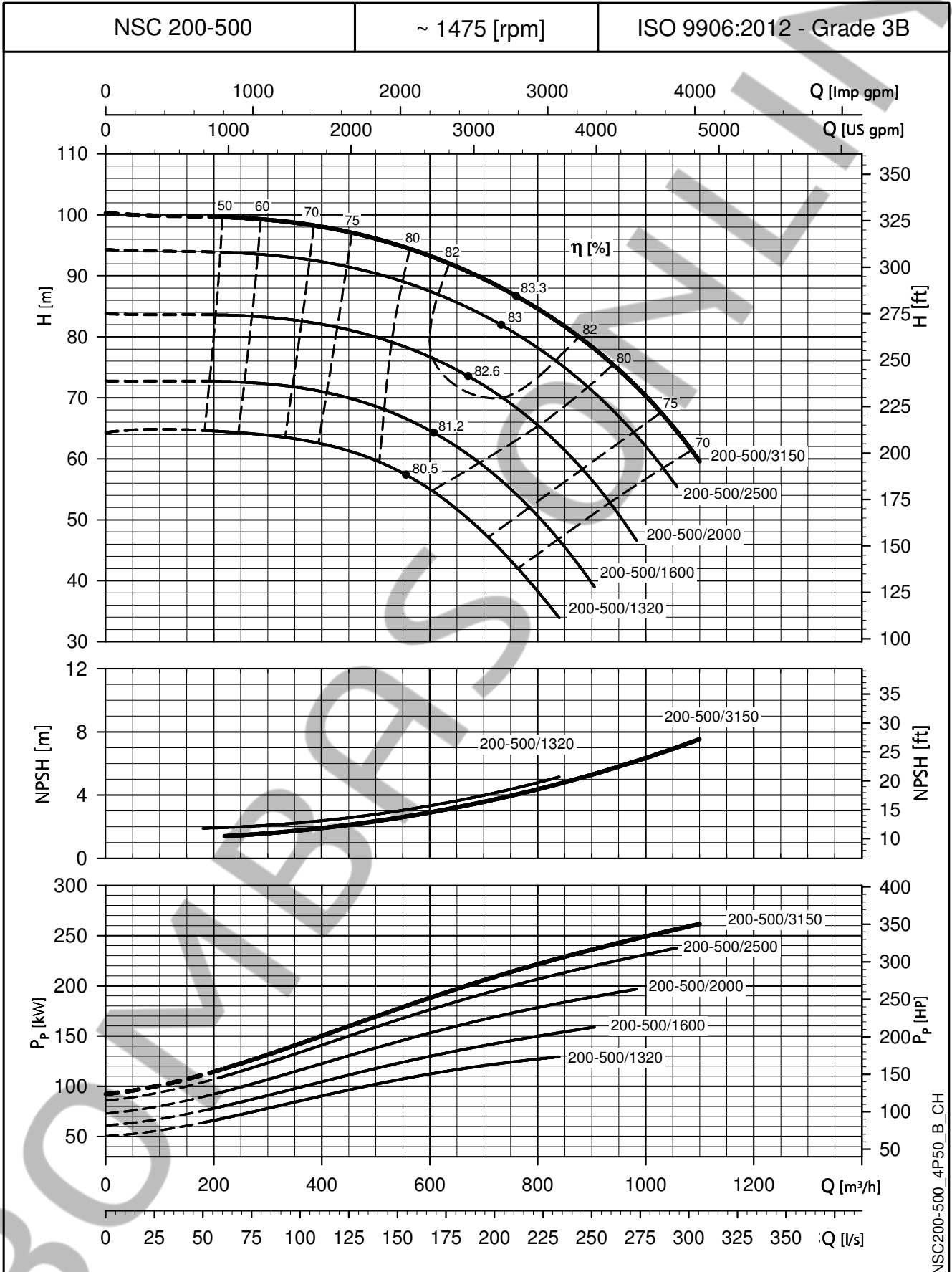
The NPSH values are laboratory values; for practical use we suggest increasing these values by 0,5 m.  
These performances are valid for liquids with density ρ = 1,0 Kg/dm³ and kinematic viscosity ν = 1 mm²/sec.

**e-NSC SERIES**  
**OPERATING CHARACTERISTICS AT 50 Hz, 4 POLES**



The NPSH values are laboratory values; for practical use we suggest increasing these values by 0,5 m.  
These performances are valid for liquids with density  $\rho = 1,0 \text{ Kg/dm}^3$  and kinematic viscosity  $\nu = 1 \text{ mm}^2/\text{sec}$ .

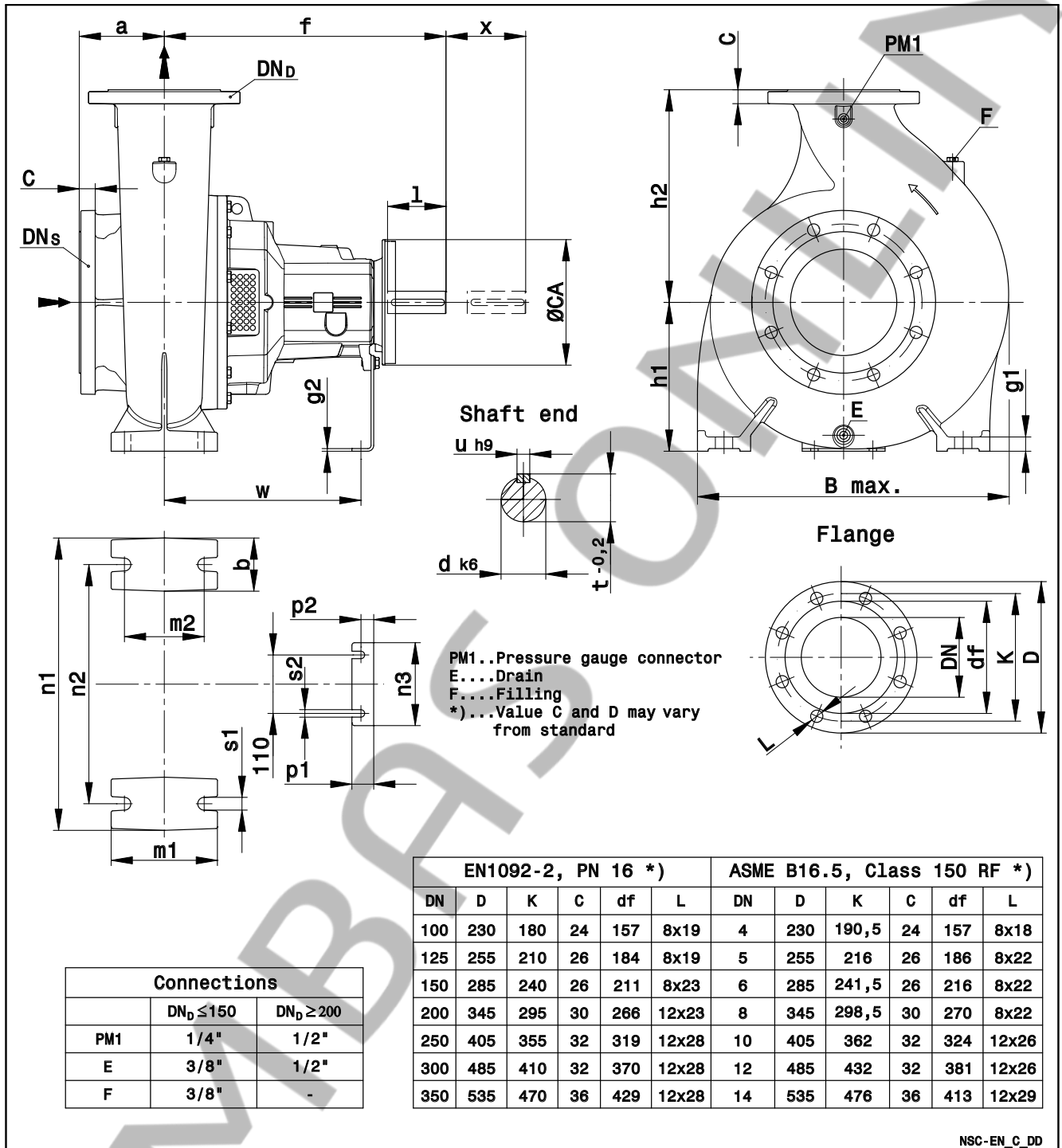
**e-NSC SERIES**  
**OPERATING CHARACTERISTICS AT 50 Hz, 4 POLES**



NSC200-500\_4P50\_B\_CH

The NPSH values are laboratory values; for practical use we suggest increasing these values by 0,5 m.  
These performances are valid for liquids with density  $\rho = 1,0 \text{ Kg/dm}^3$  and kinematic viscosity  $\nu = 1 \text{ mm}^2/\text{sec}$ .

**NSC 100, 125, 150, 200, 250, 300 SERIES  
DIMENSIONS AND WEIGHTS (BARE SHAFT)**



### NSC 100, 125, 150, 200, 250, 300 SERIES DIMENSIONS AND WEIGHTS (BARE SHAFT)

| PUMP TYPE<br>NSC<br>(BARE SHAFT) | DIMENSIONS (mm) |     |     |     |     |    |    |     |     |     |     |     |     |     |    |    |    |    |     |     |    |     |    |    |          |     |     |  | WEIGHT<br>(kg)<br>G |
|----------------------------------|-----------------|-----|-----|-----|-----|----|----|-----|-----|-----|-----|-----|-----|-----|----|----|----|----|-----|-----|----|-----|----|----|----------|-----|-----|--|---------------------|
|                                  | DNS             | DND | a   | b   | f   | g1 | g2 | h1  | h2  | m1  | m2  | n1  | n2  | n3  | p1 | p2 | s1 | s2 | W   | ØCA | d  | l   | t  | u  | B<br>max | x   |     |  |                     |
| 100-160                          | 125             | 100 | 125 | 80  | 470 | 26 | 5  | 200 | 280 | 160 | 120 | 360 | 280 | 156 | 41 | 24 | 19 | 14 | 340 | 190 | 32 | 80  | 35 | 10 | 388      | 140 | 82  |  |                     |
| 100-200                          | 125             | 100 | 125 | 80  | 470 | 26 | 5  | 200 | 280 | 160 | 120 | 360 | 280 | 156 | 41 | 24 | 19 | 14 | 340 | 190 | 32 | 80  | 35 | 10 | 390      | 140 | 90  |  |                     |
| 100-250                          | 125             | 100 | 140 | 80  | 470 | 26 | 5  | 225 | 280 | 160 | 120 | 400 | 315 | 156 | 41 | 24 | 19 | 14 | 340 | 190 | 32 | 80  | 35 | 10 | 431      | 140 | 100 |  |                     |
| 100-315                          | 125             | 100 | 140 | 80  | 470 | 26 | 5  | 250 | 315 | 160 | 120 | 400 | 315 | 156 | 41 | 24 | 19 | 14 | 340 | 190 | 32 | 80  | 35 | 10 | 482      | 140 | 116 |  |                     |
| 100-316                          | 125             | 100 | 140 | 80  | 530 | 26 | 5  | 250 | 315 | 160 | 120 | 400 | 315 | 156 | 41 | 24 | 19 | 14 | 370 | 230 | 42 | 110 | 45 | 12 | 482      | 140 | 143 |  |                     |
| 100-400                          | 125             | 100 | 140 | 100 | 530 | 26 | 5  | 280 | 355 | 200 | 150 | 500 | 400 | 156 | 41 | 24 | 23 | 14 | 370 | 230 | 42 | 110 | 45 | 12 | 569      | 140 | 178 |  |                     |
| 125-200                          | 150             | 125 | 140 | 80  | 470 | 26 | 5  | 250 | 315 | 160 | 120 | 400 | 315 | 156 | 41 | 24 | 19 | 14 | 340 | 190 | 32 | 80  | 35 | 10 | 468      | 140 | 112 |  |                     |
| 125-250                          | 150             | 125 | 140 | 80  | 470 | 26 | 5  | 250 | 355 | 160 | 120 | 400 | 315 | 156 | 41 | 24 | 19 | 14 | 340 | 190 | 32 | 80  | 35 | 10 | 470      | 140 | 112 |  |                     |
| 125-315                          | 150             | 125 | 140 | 100 | 530 | 26 | 5  | 280 | 355 | 200 | 150 | 500 | 400 | 156 | 41 | 24 | 23 | 14 | 370 | 230 | 42 | 110 | 45 | 12 | 518      | 140 | 152 |  |                     |
| 125-400                          | 150             | 125 | 140 | 100 | 530 | 26 | 5  | 315 | 400 | 200 | 150 | 500 | 400 | 156 | 41 | 24 | 23 | 14 | 370 | 230 | 42 | 110 | 45 | 12 | 607      | 140 | 200 |  |                     |
| 150-200                          | 200             | 150 | 160 | 100 | 470 | 26 | 5  | 280 | 400 | 200 | 150 | 550 | 450 | 156 | 41 | 24 | 23 | 14 | 340 | 190 | 32 | 80  | 35 | 10 | 603      | 140 | 166 |  |                     |
| 150-250                          | 200             | 150 | 160 | 100 | 530 | 26 | 5  | 280 | 400 | 200 | 150 | 500 | 400 | 156 | 41 | 24 | 23 | 14 | 370 | 230 | 42 | 110 | 45 | 12 | 569      | 140 | 180 |  |                     |
| 150-315                          | 200             | 150 | 160 | 100 | 530 | 26 | 5  | 280 | 400 | 200 | 150 | 550 | 450 | 156 | 41 | 24 | 23 | 14 | 370 | 230 | 42 | 110 | 45 | 12 | 586      | 140 | 186 |  |                     |
| 150-400                          | 200             | 150 | 160 | 100 | 530 | 26 | 5  | 315 | 450 | 200 | 150 | 550 | 450 | 156 | 41 | 24 | 23 | 14 | 370 | 230 | 42 | 110 | 45 | 12 | 621      | 140 | 228 |  |                     |
| 150-500                          | 200             | 150 | 180 | 110 | 770 | 35 | 8  | 400 | 500 | 300 | 250 | 710 | 600 | 170 | 58 | 33 | 28 | 18 | 525 | 310 | 60 | 140 | 64 | 18 | 751      | 250 | 408 |  |                     |
| 200-250                          | 250             | 200 | 180 | 100 | 530 | 26 | 5  | 355 | 475 | 200 | 150 | 550 | 450 | 156 | 41 | 24 | 23 | 14 | 370 | 230 | 42 | 110 | 45 | 12 | 655      | 200 | 230 |  |                     |
| 200-315                          | 250             | 200 | 180 | 100 | 530 | 26 | 5  | 355 | 450 | 200 | 150 | 550 | 450 | 156 | 41 | 24 | 23 | 14 | 370 | 230 | 42 | 110 | 45 | 12 | 645      | 200 | 234 |  |                     |
| 200-400                          | 250             | 200 | 180 | 110 | 770 | 35 | 8  | 400 | 500 | 300 | 250 | 710 | 600 | 170 | 58 | 33 | 28 | 18 | 525 | 310 | 60 | 140 | 64 | 18 | 735      | 250 | 363 |  |                     |
| 200-500                          | 250             | 200 | 200 | 110 | 770 | 35 | 8  | 450 | 560 | 300 | 250 | 710 | 600 | 170 | 58 | 33 | 28 | 18 | 525 | 310 | 60 | 140 | 64 | 18 | 761      | 250 | 400 |  |                     |
| 250-315                          | 300             | 250 | 250 | 110 | 530 | 35 | 5  | 400 | 500 | 300 | 250 | 710 | 600 | 156 | 41 | 24 | 28 | 14 | 370 | 230 | 42 | 110 | 45 | 12 | 767      | 200 | 316 |  |                     |
| 250-400                          | 300             | 250 | 200 | 110 | 770 | 35 | 8  | 400 | 560 | 300 | 250 | 710 | 600 | 170 | 58 | 33 | 28 | 18 | 525 | 310 | 60 | 140 | 64 | 18 | 754      | 250 | 400 |  |                     |
| 250-500                          | 300             | 250 | 200 | 110 | 770 | 35 | 8  | 450 | 670 | 300 | 250 | 710 | 600 | 170 | 58 | 33 | 28 | 18 | 525 | 310 | 60 | 140 | 64 | 18 | 776      | 250 | 451 |  |                     |
| 300-350                          | 350             | 300 | 250 | 130 | 800 | 41 | 8  | 450 | 600 | 350 | 290 | 800 | 670 | 170 | 58 | 33 | 32 | 18 | 555 | 310 | 60 | 140 | 64 | 18 | 895      | 300 | 544 |  |                     |
| 300-400                          | 350             | 300 | 250 | 130 | 800 | 41 | 8  | 450 | 600 | 350 | 290 | 800 | 670 | 170 | 58 | 33 | 32 | 18 | 555 | 310 | 60 | 140 | 64 | 18 | 854      | 300 | 548 |  |                     |
| 300-450                          | 350             | 300 | 250 | 130 | 800 | 41 | 8  | 475 | 630 | 350 | 290 | 800 | 670 | 170 | 58 | 33 | 32 | 18 | 555 | 310 | 60 | 140 | 64 | 18 | 873      | 300 | 578 |  |                     |

NOTE: Pumps with flanges according to EN 1092-2 as standard; available ASME B16.5 version on request.

Nsc100-300bs-en\_b\_td