



DATA SHEET

DAB PUMPS S.p.A.
Via Marco Polo, 14 - 35035 Mestrino (PD), Italy
Tel. +39 049 5125000 - Fax +39 049 5125950
www.dabpumps.com

03/08/2016

Page 1 / 3

Receiver

From

Society
Reference
Address
Phone
Fax
E-mail

Item n° :

60122636

Model :

VERTY NOVA 200 M

Pump data

Free passage : 5 mm

Pressure rating :

Min. fluid temperature :

Max. fluid temperature :

Max. Ambient temperature :

Requested data

Flow :

Head :

Fluid : Water

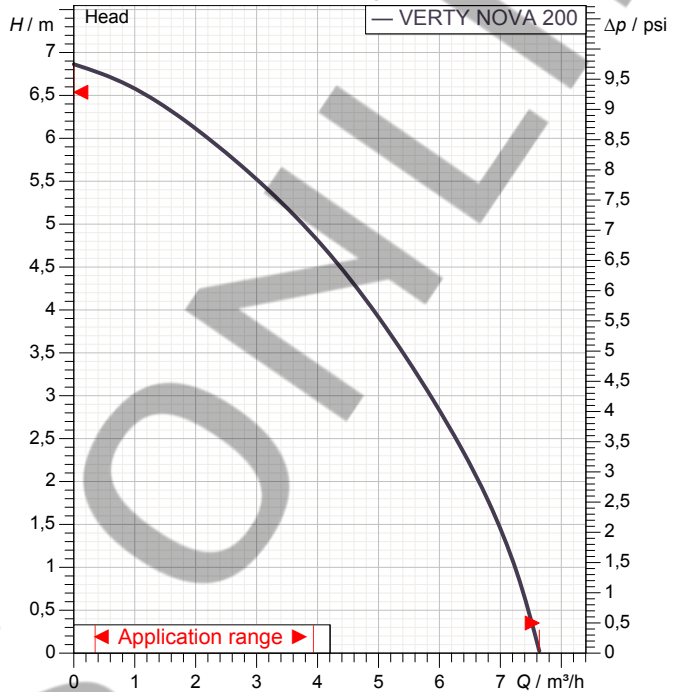
Fluid Temperature : 20 °C

Density : 998,3 kg/m³

Kinematic viscosity : 1,005 mm²/s

Vapor pressure :

Curve tolerance according to ISO 9906



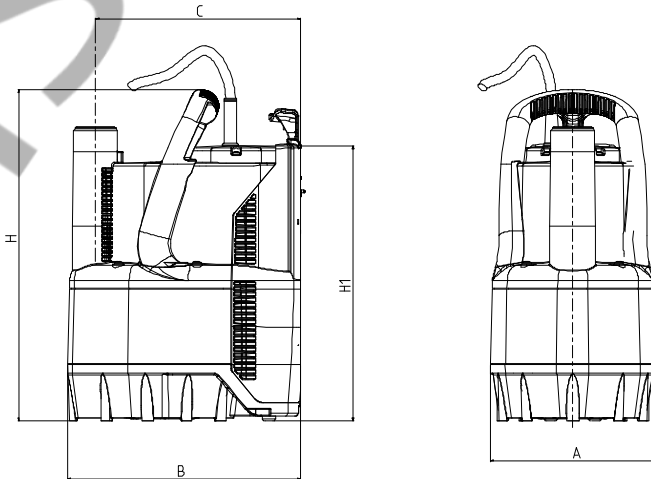
Hydraulic data (duty point)

Flow :

Head :

Materials

Pump body : Technopolymer
Impeller : Noryl
Motor casing : Stainless Steel AISI 304
Motor shaft : AISI 416 X12 CrS 13 UNI EN 10088-1
Float : Technopolymer
OR ring : NBR 70
Filter : Technopolymer



Motor data

Weight : 4,2 kg

Motor brand : DAB
Nominal power P2 : 0,2 kW
Rated speed : 2800 1/min
Rated voltage : 1~ 220-240 V 50 Hz
Nominal current : 1,3 A
Degree of protection : IP X8

Dimensions in mm

Dimension	Value (mm)
A	158
B	225
C	200
D	33
H	318
H1	265

Pump connection

Suction side : /
Discharge side : /



PERFORMANCE CURVES

03/08/2015

Page 2 / 3

DAB PUMPS S.p.A.
Via Marco Polo, 14 - 35035 Mestrino (PD), Italy
Tel. +39 049 5125000 - Fax +39 049 5125950
www.dabpumps.com

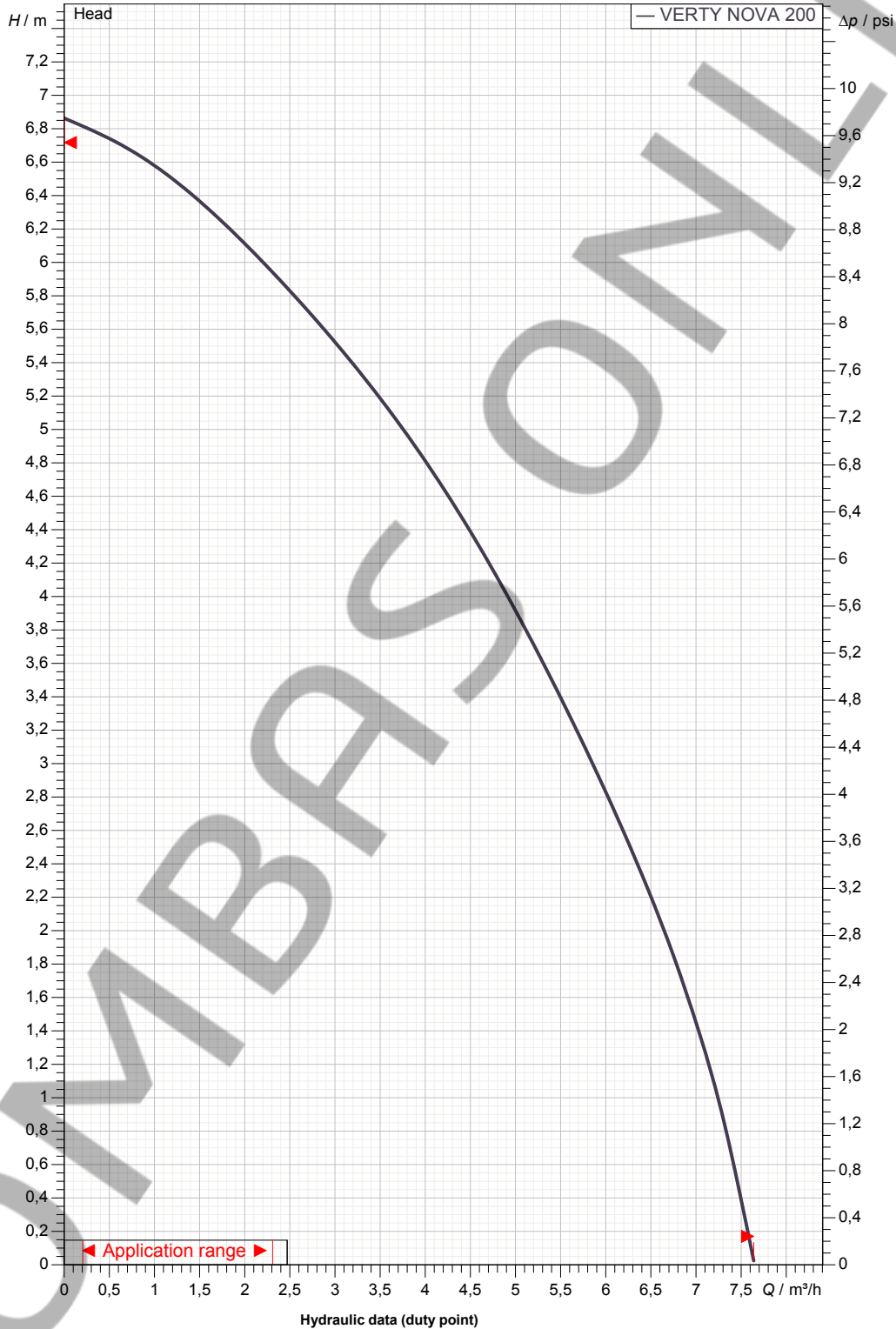
Receiver

From

Society
Reference
Address
Phone
Fax
E-mail

VERTY NOVA 200 M

Curve tolerance according to ISO 9906



Suction side :

Discharge side :

Flow :

Head :

Rated speed :
2800 1/min

MAIN_PROJECT_TITLE

BUSINESS_PROCESS_ID

OWNER_

ISSUE_DATE



DIMENSIONAL DRAWING

03/08/2015

Page 3 / 3

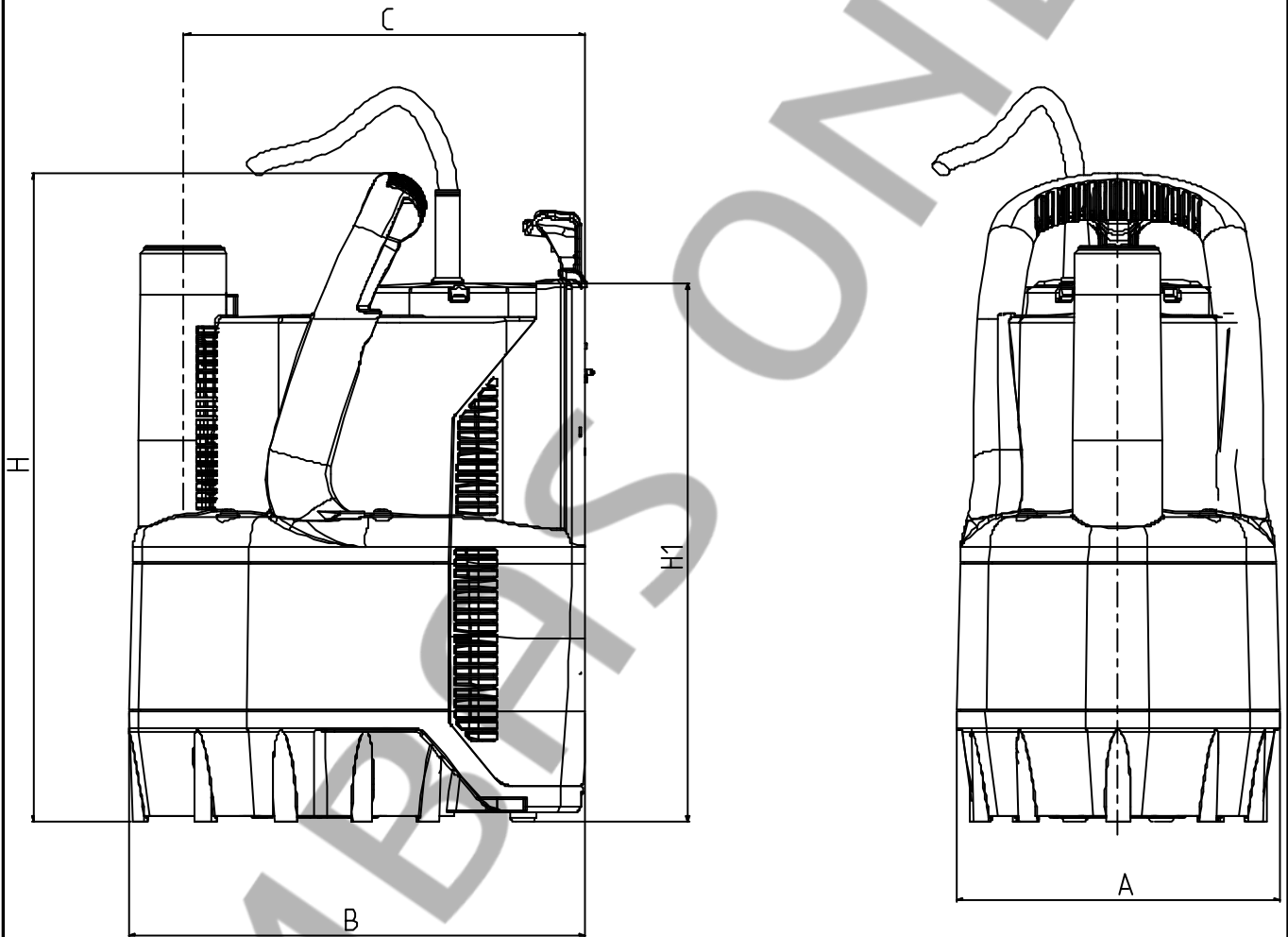
DAB PUMPS S.p.A.
Via Marco Polo, 14 - 35035 Mestrino (PD), Italy
Tel. +39 049 5125000 - Fax +39 049 5125950
www.dabpumps.com

Receiver

From

Society
Reference
Address
Phone
Fax
E-mail

VERTY NOVA 200 M



Dimensions in mm			Pump connection			
1	A	158				Suction
2	B	225				
3	C	200				
4	D	33				
5	H	318				
6	H1	265				
						Discharge

MAIN_PROJECT_TITLE	BUSINESS_PROCESS_ID	OWNER_	ISSUE_DATE
--------------------	---------------------	--------	------------