



DATA SHEET

DAB PUMPS S.p.A.
Via Marco Polo, 14 - 35035 Mestrino (PD), Italy
Tel. +39 049 5125000 - Fax +39 049 5125950
www.dabpumps.com

02/08/2016

Page 1 / 3

Receiver

From

Society
Reference
Address
Phone
Fax
E-mail

Item n° :

101112224

Model :

KPS 30/16 M-P

Pump data

Impeller size

Pressure rating : 6 bar (600 kPa)

Min. fluid temperature : -10 °C

Max. fluid temperature : 50 °C

Max. Ambient temperature : 40 °C

Requested data

Flow :

Head :

Fluid : Water

Fluid Temperature : 20 °C

Density : 998,3 kg/m³

Kinematic viscosity : 1,005 mm²/s

Vapor pressure :

Hydraulic data (duty point)

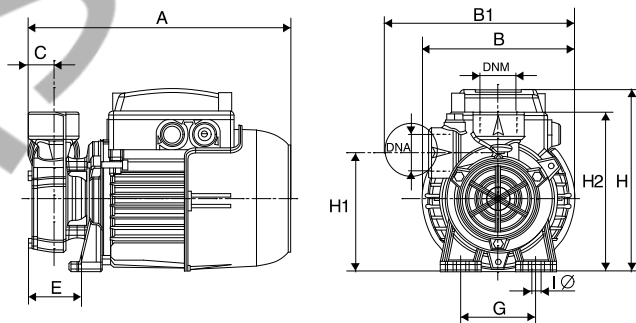
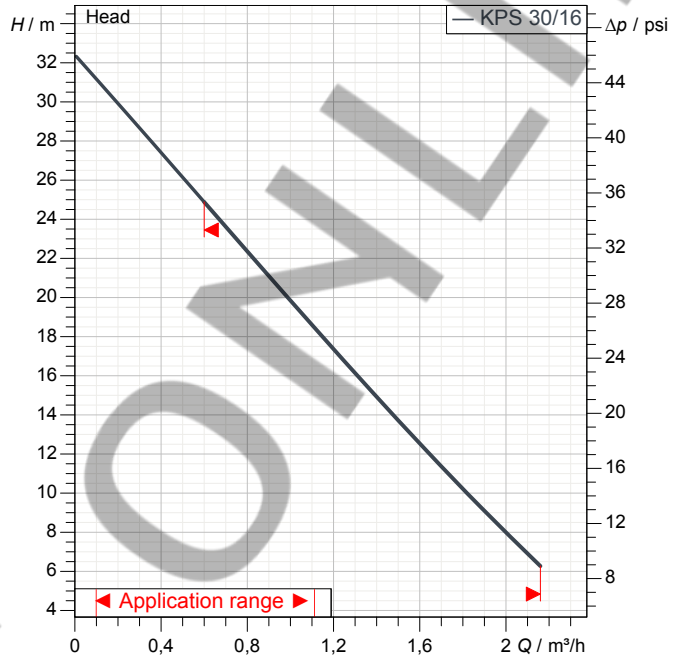
Flow :

Head :

Materials

Pump body	Cast iron 250 UNI ISO 185
Impeller	Brass P Cu Zn40 Pb2 UNI 5705/65
Motor shaft	AISI 416 X12 CrS 13 UNI 6900/71
OR ring	NBR
Cover	Brass P Cu Zn40 Pb2 UNI 5705/65
Mechanical seal	Carbon/Ceramic

Curve tolerance according to ISO 9906



Weight : 5,3 kg

Motor data

Motor brand :	DAB
Nominal power P2 :	0,37 kW
Rated speed :	2800 1/min
Rated voltage :	1~ 220-240 V 50 Hz
Nominal current :	2 A
Degree of protection :	IP 44

Dimensions in mm

A	228
B	132
B1	165
C	22
DNA	1" G
DNM	1" G
E	46
G	65
H	158
H1	103
H2	138
IØ	8

Pump connection

Suction side :	1" G / 6 bar (600 kPa)
Discharge side :	1" G / 6 bar (600 kPa)



PERFORMANCE CURVES

02/08/2015

Page 2 / 3

DAB PUMPS S.p.A.
Via Marco Polo, 14 - 35035 Mestrino (PD), Italy
Tel. +39 049 5125000 - Fax +39 049 5125950
www.dabpumps.com

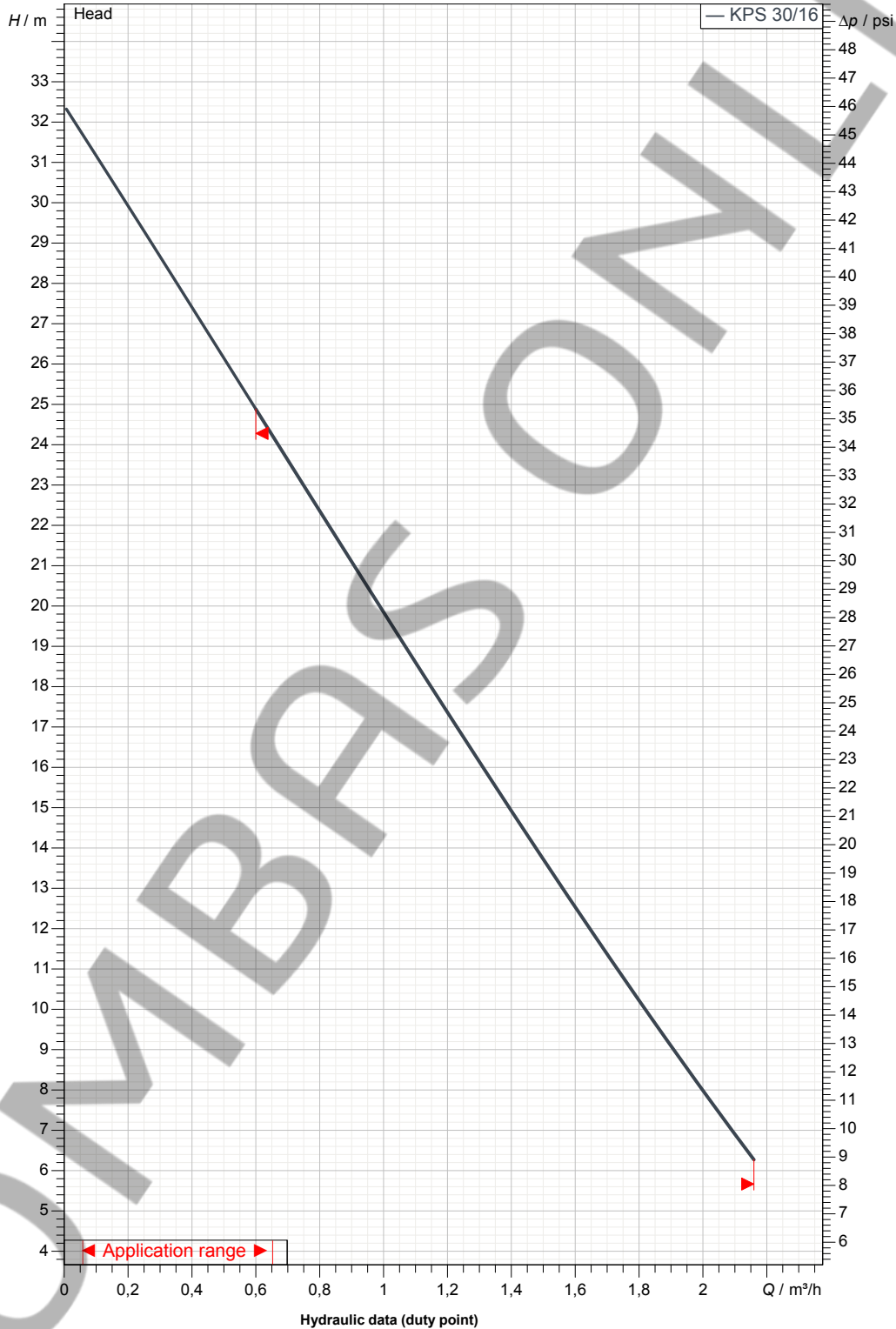
Receiver

From

Society
Reference
Address
Phone
Fax
E-mail

KPS 30/16 M-P

Curve tolerance according to ISO 9906



Suction side :
1" G
6 bar (600 kPa)

Discharge side :
1" G
6 bar (600 kPa)

Flow :

Head :

Rated speed :
2800 1/min

MAIN_PROJECT_TITLE

BUSINESS_PROCESS_IC

OWNER_

ISSUE_DATE



DIMENSIONAL DRAWING

02/08/2015

Page 3 / 3

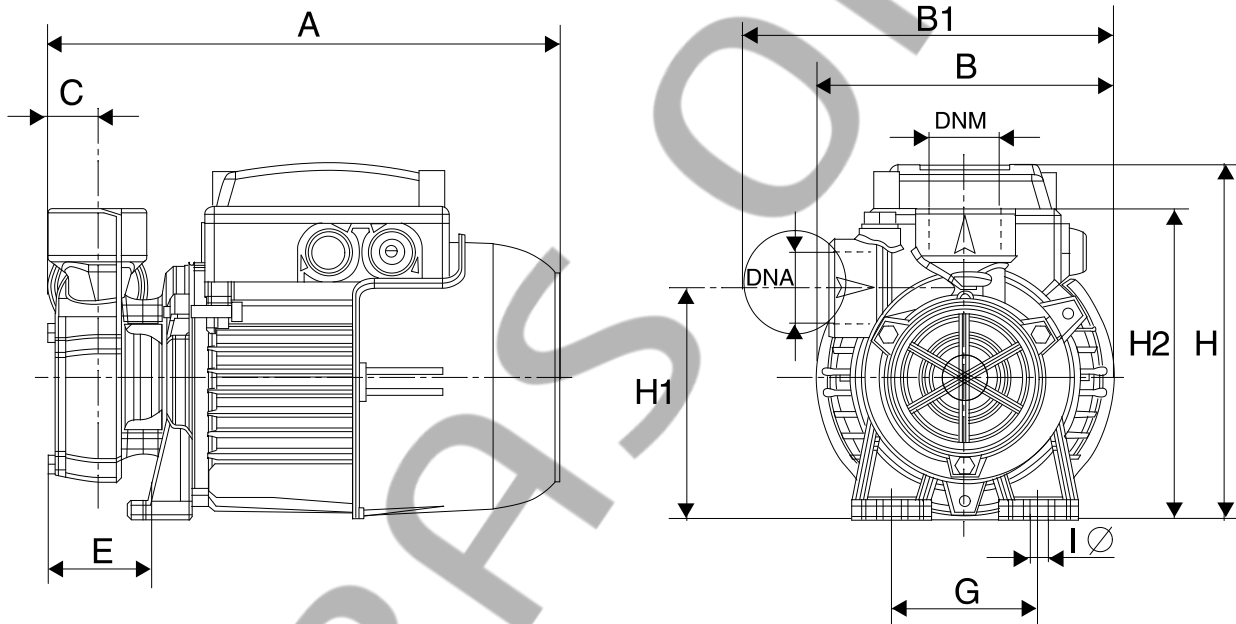
DAB PUMPS S.p.A.
Via Marco Polo, 14 - 35035 Mestrino (PD), Italy
Tel. +39 049 5125000 - Fax +39 049 5125950
www.dabpumps.com

Receiver

From

Society
Reference
Address
Phone
Fax
E-mail

KPS 30/16 M-P



Dimensions in mm

Pump connection

1	A	228
2	B	132
3	B1	165
4	C	22
5	DNA	1" G
6	DNM	1" G
7	E	46
8	G	65
9	H	158
10	H1	103
11	H2	138
12	I	8

Suction
1" G
6 bar (600 kPa)

Discharge
1" G
6 bar (600 kPa)

MAIN_PROJECT_TITLE

BUSINESS_PROCESS_ID

OWNER

ISSUE_DATE