



DATA SHEET

DAB PUMPS S.p.A.
Via Marco Polo, 14 - 35035 Mestrino (PD), Italy
Tel. +39 049 5125000 - Fax +39 049 5125950
www.dabpumps.com

01/08/2016

Page 1 / 3

Receiver

From

Society
Reference
Address
Phone
Fax
E-mail

Item n° :

102640080

Model :

JETINOX 92 M

Pump data

Pressure rating : 8 bar (800 kPa)
Min. fluid temperature : 0 °C
Max. fluid temperature : 35 °C
Max. Ambient temperature : 40 °C

Priming capacity :

H	m	2	3	4	5	6	7	8	9
Q	m³/h	4,8	4,32	3,96	3,66	3,36	3	2,46	1,86

Requested data

Flow :
Head :
Fluid : Water
Fluid Temperature : 20 °C
Density : 998,3 kg/m³
Kinematic viscosity : 1,005 mm²/s
Vapor pressure :

Hydraulic data (duty point)

Flow :
Head :

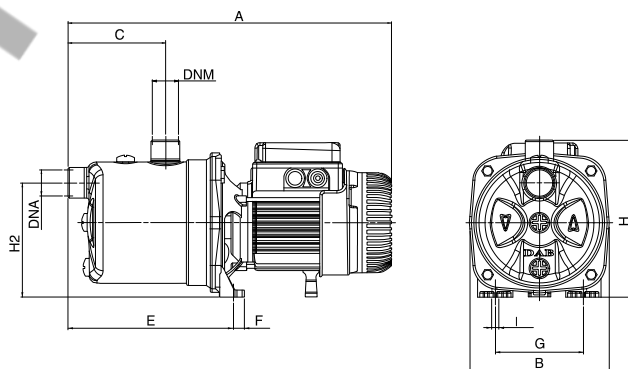
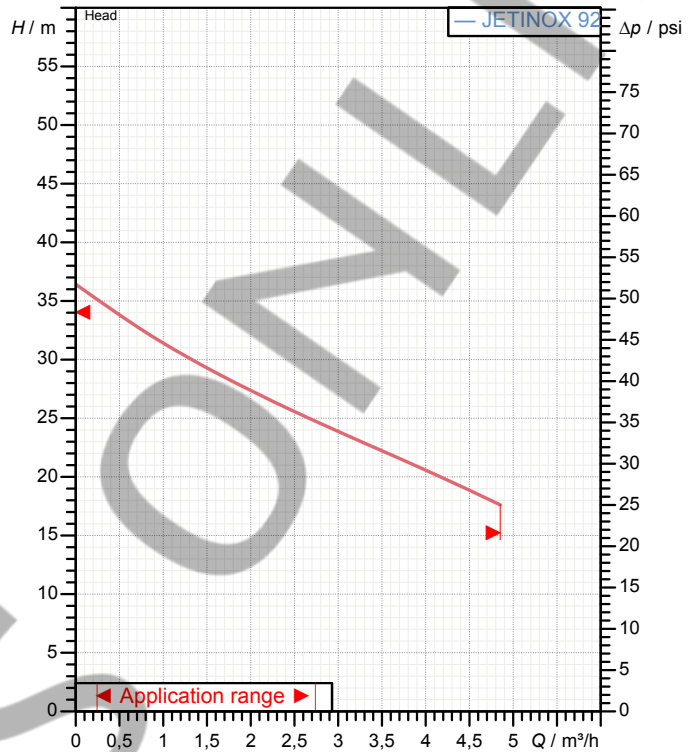
Materials

Pump body : AISI 304 X5 Cr Ni 1810 UNI 6900/71
Disc seal : AISI 304 X5 Cr Ni 1810 UNI 6900/71
Impeller : Technopolymer A
Mechanical seal : Carbon/Ceramic
OR ring : NBR Rubber
Shaft with rotor : AISI 416 X12 CrS 13 UNI 6900/71
Nozzle venturi diffuser assembly : Technopolymer A

Motor data

Motor brand : DAB
Nominal power P2 : 0,75 kW
Rated speed : 2800 1/min
Rated voltage : 1~ 220-240 V 50 Hz
Nominal current : 4,2 A
Degree of protection : IP 44

Curve tolerance according to ISO 9906



Dimensions in

mm

A	406	DNM	1"G	H	197		
B	174	E	207	H2	144		
C	122	F	14	I Ø	9		
DNA	1"G	G	111				

Weight : 8,7 kg

Pump connection

Suction side : 1" G / 8 bar (800 kPa)
Discharge side : 1" G / 8 bar (800 kPa)



PERFORMANCE CURVES

01/08/2015

Page 2 / 3

DAB PUMPS S.p.A.
Via Marco Polo, 14 - 35035 Mestrino (PD), Italy
Tel. +39 049 5125000 - Fax +39 049 5125950
www.dabpumps.com

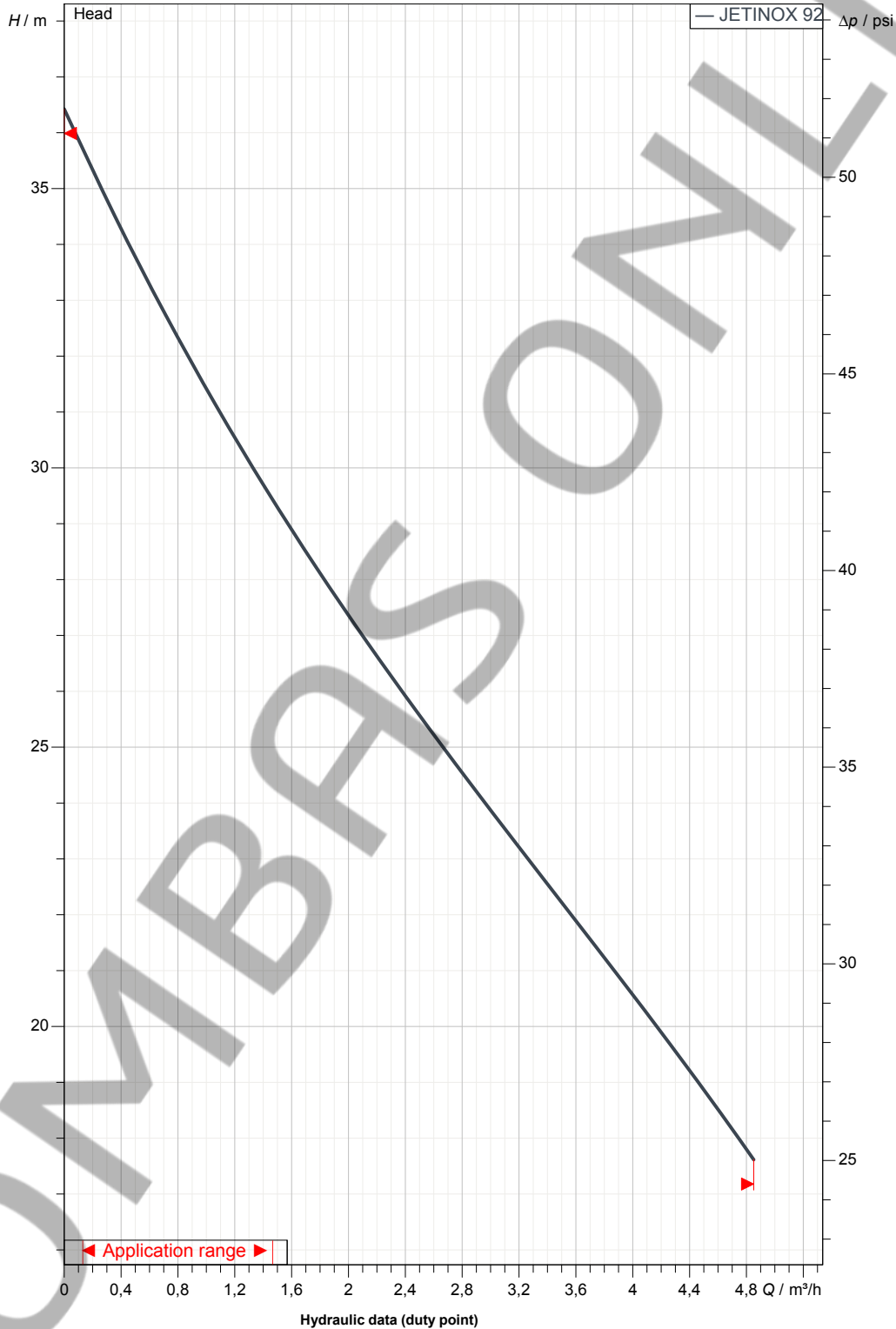
Receiver

From

Society
Reference
Address
Phone
Fax
E-mail

JETINOX 92 M

Curve tolerance according to ISO 9906



Suction side :
1" G
8 bar (800 kPa)

Discharge side :
1" G
8 bar (800 kPa)

Flow :

Head :

Rated speed :
2800 1/min

MAIN_PROJECT_TITLE

BUSINESS_PROCESS_IC

OWNER_

ISSUE_DATE



DIMENSIONAL DRAWING

01/08/2015

Page 3 / 3

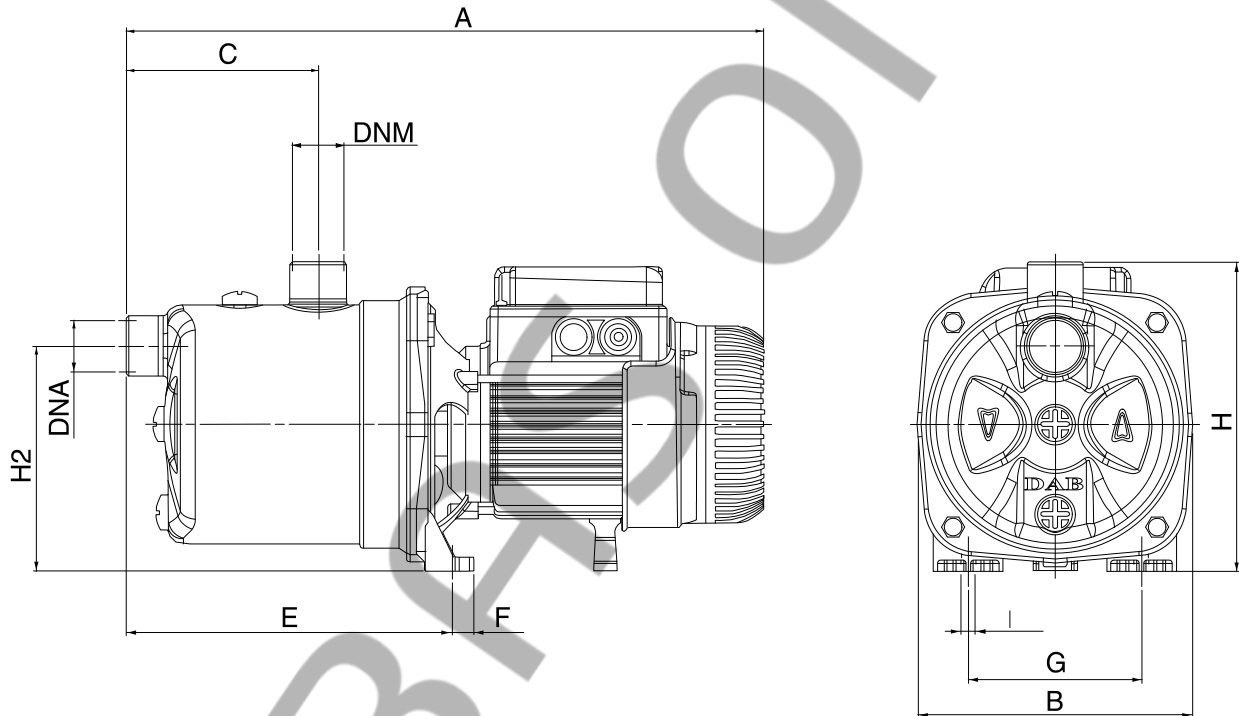
DAB PUMPS S.p.A.
Via Marco Polo, 14 - 35035 Mestrino (PD), Italy
Tel. +39 049 5125000 - Fax +39 049 5125950
www.dabpumps.com

Receiver

From

Society
Reference
Address
Phone
Fax
E-mail

JETINOX 92 M



Dimensions in mm

1	A	406
2	B	174
3	C	122
4	DNA	1" G
5	DNM	1" G
6	E	207
7	F	14
8	G	111
9	H	197
10	H2	144
11	I Ø	9

Pump connection

Suction
1" G
8 bar (800 kPa)

Discharge
1" G
8 bar (800 kPa)

MAIN_PROJECT_TITLE

BUSINESS_PROCESS_ID

OWNER_

ISSUE_DATE