



DATA SHEET

DAB PUMPS S.p.A.
Via Marco Polo, 14 - 35035 Mestrino (PD), Italy
Tel. +39 049 5125000 - Fax +39 049 5125950
www.dabpumps.com

03/08/2016

Page 1 / 3

Receiver

From

Society
Reference
Address
Phone
Fax
E-mail

Item n° :

103040020

Model :

FEKA VS 550 T - NA

Pump data

Free passage : 50 mm

Pressure rating :

Min. fluid temperature : 0

Max. fluid temperature : 50 °C

Max. Ambient temperature : 40 °C

Requested data

Flow :

Head :

Fluid : Dirty water

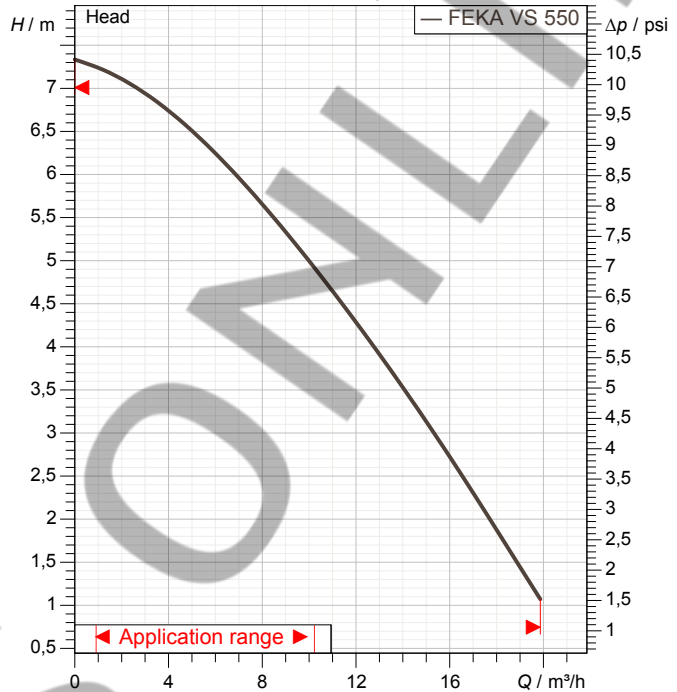
Fluid Temperature : 20 °C

Density : 998 kg/m³

Kinematic viscosity : 1 mm²/s

Vapor pressure :

Curve tolerance according to ISO 9906



Hydraulic data (duty point)

Flow :

Head :

Materials

Pump body : Stainless Steel (AISI 304)

Impeller : Stainless Steel (AISI 304)

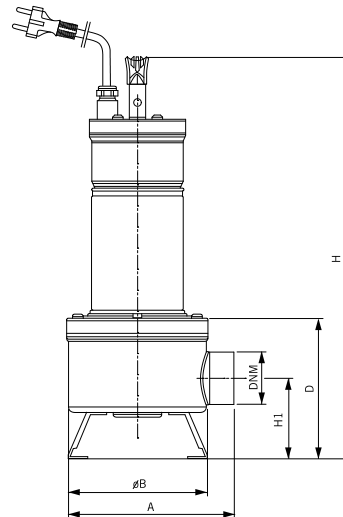
Motor shaft : AISI 316

Seal disk : Stainless Steel (AISI 304)

Motor casing : Stainless Steel (AISI 304)

Protection cover : Stainless Steel (AISI 304)

Mechanical seal pump side : Silicon carbide/Silicon carbide



Motor data

Weight : 16,3 kg

Motor brand : DAB

Nominal power P2 : 0,55 kW

Rated speed : 2800 1/min

Rated voltage : 3~ 400 V

50 Hz

Nominal current : 1,64 A

Degree of protection : IP 68

Dimensions in mm

A	203				
B	170				
D	172				
DNM	2" F				
H	492				
H1	98				

Pump connection

Suction side : /

Discharge side : 2" F / --



PERFORMANCE CURVES

03/08/2015

Page 2 / 3

DAB PUMPS S.p.A.
Via Marco Polo, 14 - 35035 Mestrino (PD), Italy
Tel. +39 049 5125000 - Fax +39 049 5125950
www.dabpumps.com

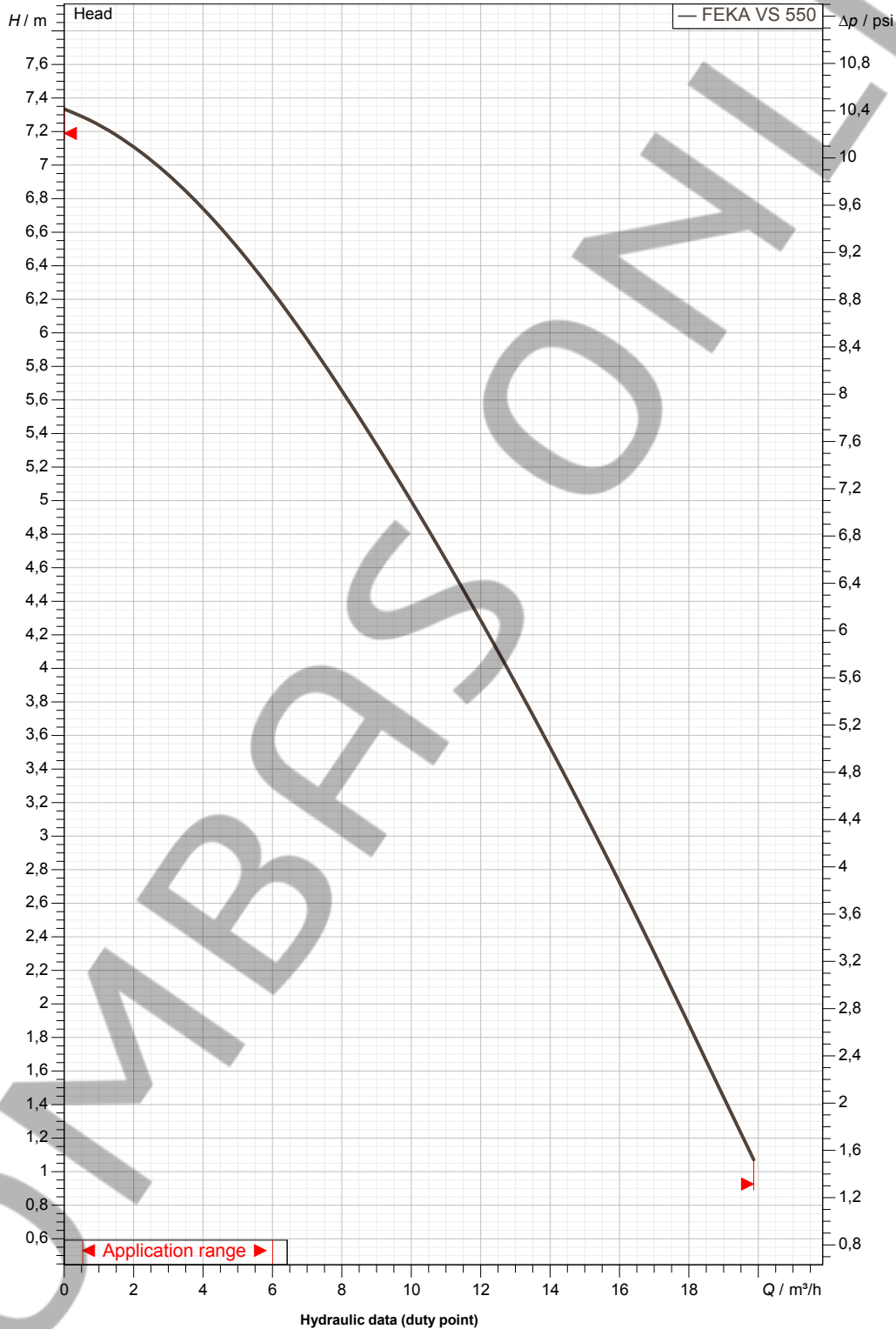
Receiver

From

Society
Reference
Address
Phone
Fax
E-mail

FEKA VS 550 T - NA

Curve tolerance according to ISO 9906



Suction side :

Discharge side :
2" F
--

Flow :

Head :

Rated speed :
2800 1/min

MAIN_PROJECT_TITLE

BUSINESS_PROCESS_IT

OWNER_

ISSUE_DATE



DIMENSIONAL DRAWING

03/08/2015

Page 3 / 3

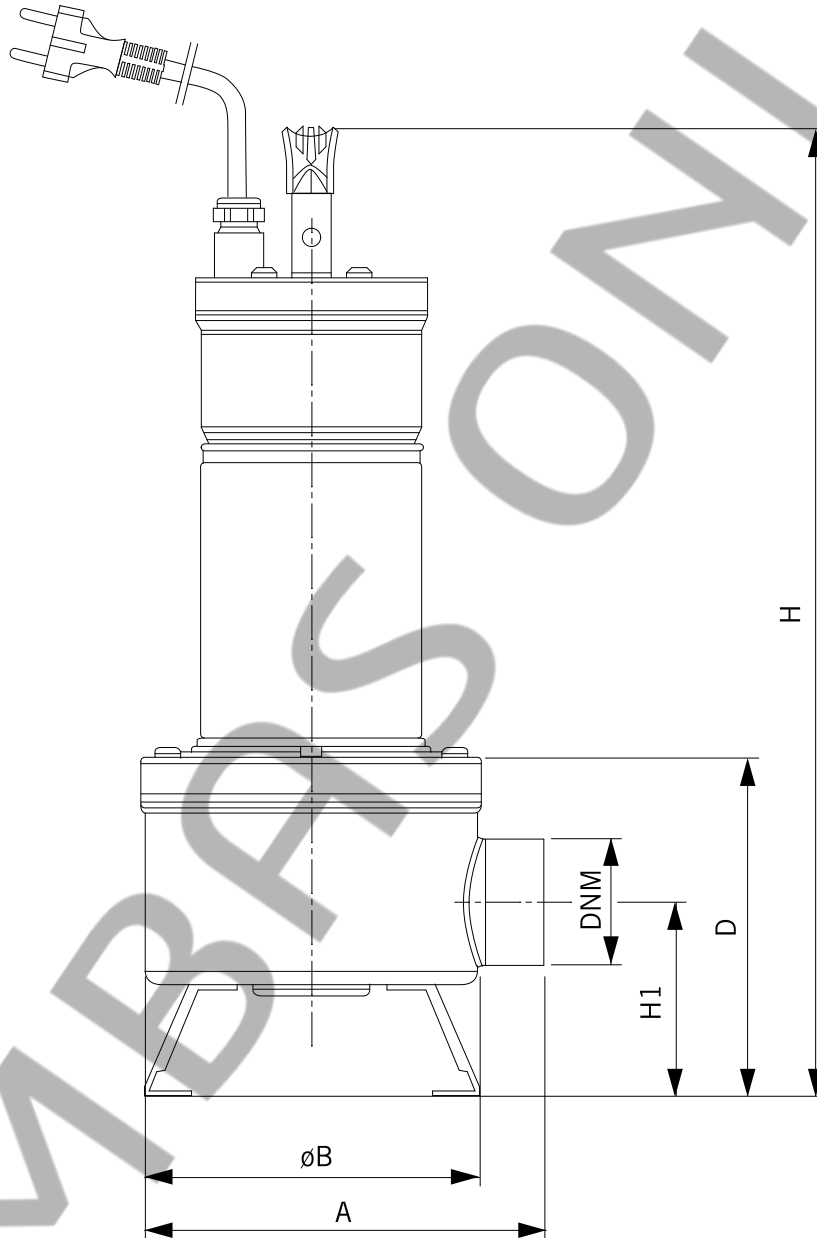
DAB PUMPS S.p.A.
Via Marco Polo, 14 - 35035 Mestrino (PD), Italy
Tel. +39 049 5125000 - Fax +39 049 5125950
www.dabpumps.com

Receiver

From

Society
Reference
Address
Phone
Fax
E-mail

FEKA VS 550 T - NA



Dimensions in mm

Pump connection

1	A	203							
2	B	170							Suction
3	D	172							
4	DNM	2" F							Discharge
5	H	492							2" F
6	H1	98							--

MAIN_PROJECT_TITLE

BUSINESS_PROCESS_ID

OWNER

ISSUE_DATE