



DATA SHEET

DAB PUMPS S.p.A.
Via Marco Polo, 14 - 35035 Mestrino (PD), Italy
Tel. +39 049 5125000 - Fax +39 049 5125950
www.dabpumps.com

03/08/2016

Page 1 / 3

Receiver

From

Society
Reference
Address
Phone
Fax
E-mail

Item n° :

103000054

Model :

FEKA 600 T-NA

Pump data

Free passage : 25 mm

Pressure rating :

Min. fluid temperature : 0 °C

Max. fluid temperature : 35 °C

Max. Ambient temperature : 40 °C

Requested data

Flow :

Head :

Fluid : Dirty water

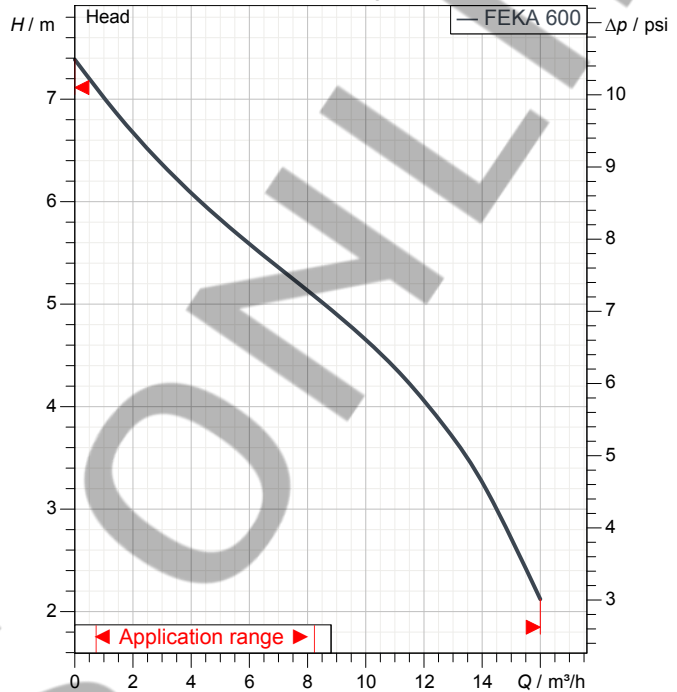
Fluid Temperature : 20 °C

Density : 998 kg/m³

Kinematic viscosity : 1 mm²/s

Vapor pressure :

Curve tolerance according to ISO 9906



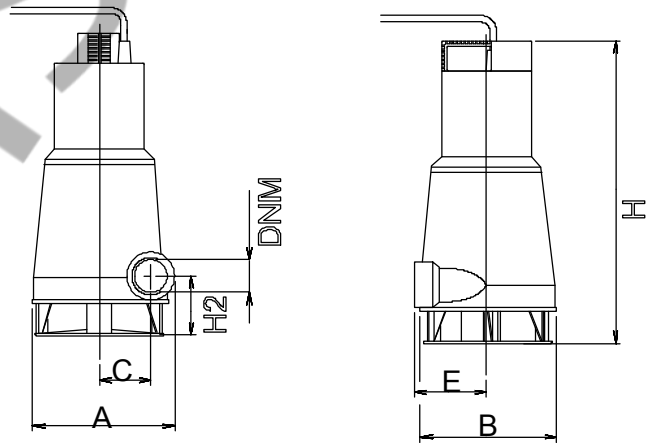
Hydraulic data (duty point)

Flow :

Head :

Materials

Pump body : Technopolymer
 Impeller : Technopolymer
 OR ring : NBR Rubber
 Motor top body : AISI 304 X5 Cr Ni 1810 UNI 6900/71
 Rotor shaft : AISI 416 X12 CrS 13 UNI 6900/71
 Seeger ring : 12E - UNI 7435 STAINLESS
 Suction strainer : Technopolymer



Motor data

Weight : 6,7 kg

Motor brand : DAB
 Nominal power P2 : 0,55 kW
 Rated speed : 2850 1/min
 Rated voltage : 3~ 400 V
 Nominal current : 1,7 A
 Degree of protection : IP 68

Dimensions in mm

Dimension	Value (mm)
A	162
B	165
C	56
DNM	1" 1/4 G
E	90
H	365
H2	70,5

Pump connection

Suction side : /
 Discharge side : 1" 1/4 G / -



PERFORMANCE CURVES

03/08/2015

Page 2 / 3

DAB PUMPS S.p.A.
Via Marco Polo, 14 - 35035 Mestrino (PD), Italy
Tel. +39 049 5125000 - Fax +39 049 5125950
www.dabpumps.com

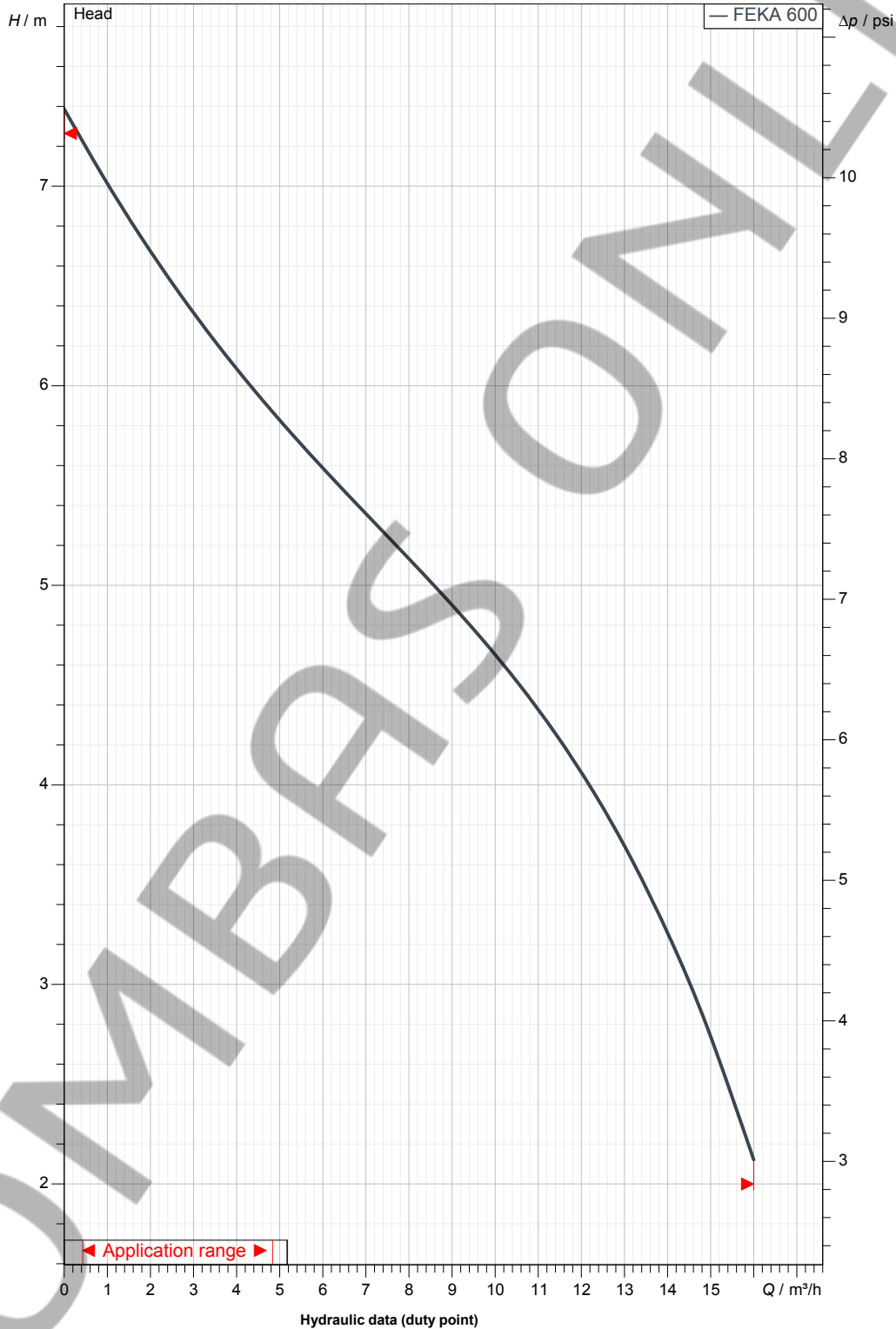
Receiver

From

Society
Reference
Address
Phone
Fax
E-mail

FEKA 600 T-NA

Curve tolerance according to ISO 9906



Suction side :

Discharge side :

Flow :

Head :

Rated speed :

1" 1/4 G
--

2850 1/min

MAIN_PROJECT_TITLE

BUSINESS_PROCESS_ID

OWNER

ISSUE_DATE



DIMENSIONAL DRAWING

03/08/2015

Page 3 / 3

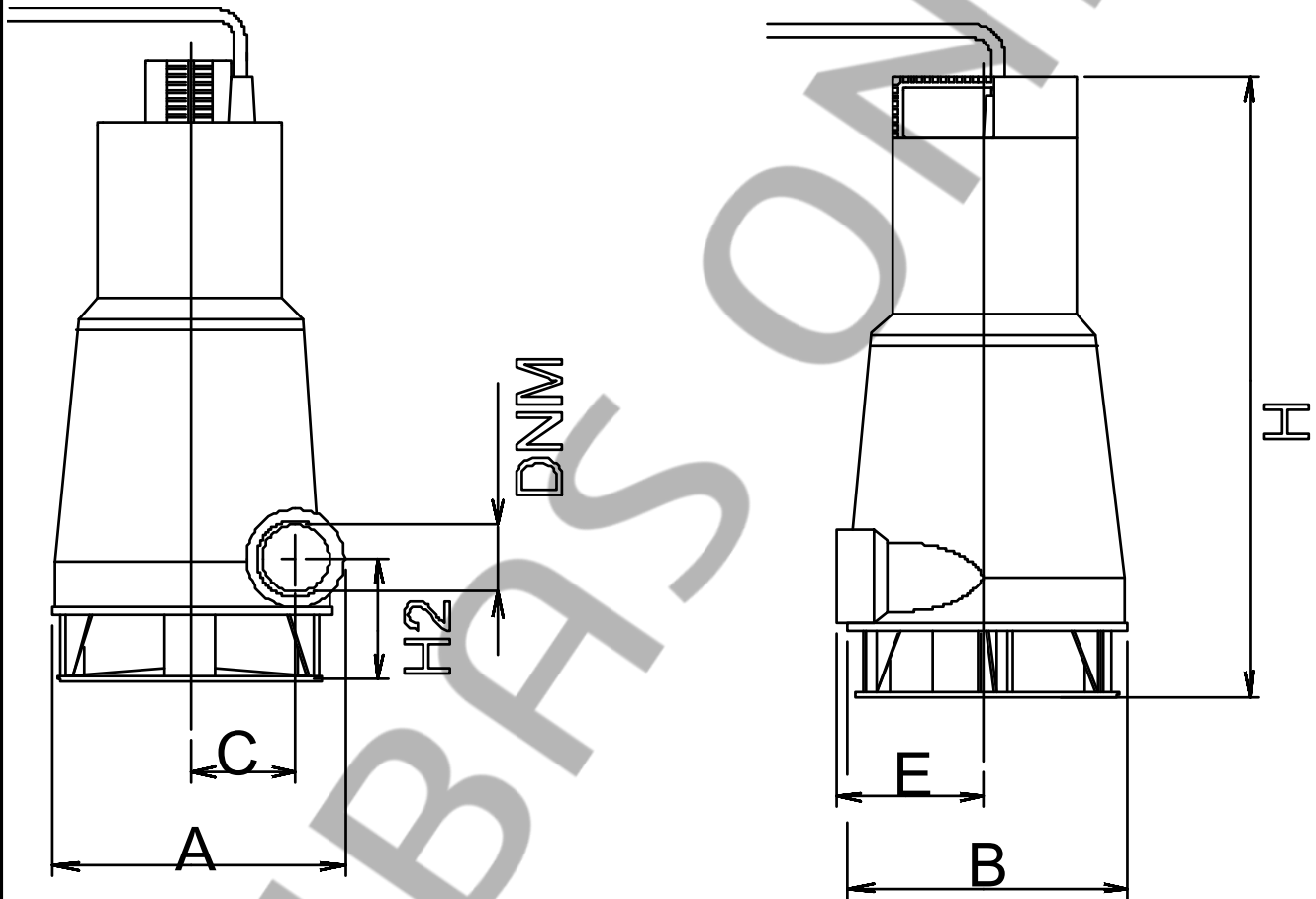
DAB PUMPS S.p.A.
Via Marco Polo, 14 - 35035 Mestrino (PD), Italy
Tel. +39 049 5125000 - Fax +39 049 5125950
www.dabpumps.com

Receiver

From

Society
Reference
Address
Phone
Fax
E-mail

FEKA 600 T-NA



Dimensions in mm			Pump connection			
1	A	162				Suction
2	B	165				
3	C	56				
4	DNM	1" 1/4 G				Discharge 1" 1/4 G --
5	E	90				
6	H	365				
7	H2	70,5				

MAIN_PROJECT_TITLE	BUSINESS_PROCESS_ID	OWNER	ISSUE_DATE
--------------------	---------------------	-------	------------