



DATA SHEET

DAB PUMPS S.p.A.
Via Marco Polo, 14 - 35035 Mestrino (PD), Italy
Tel. +39 049 5125000 - Fax +39 049 5125950
www.dabpumps.com

02/08/2016

Page 1 / 3

Receiver

From

Society
Reference
Address
Phone
Fax
E-mail

Item n° :

102970090

Model :

EURO 40/50 T

Pump data

Pressure rating : 8 bar (800 kPa)
Min. fluid temperature : 0 °C
Max. fluid temperature : 35 °C
Max. Ambient temperature : 40 °C

Priming capacity :

H	m								
Q	m³/h								

Requested data

Flow :
Head :
Fluid : Water
Fluid Temperature : 20 °C
Density : 998,3 kg/m³
Kinematic viscosity : 1,005 mm²/s
Vapor pressure :

Hydraulic data (duty point)

Flow :
Head :

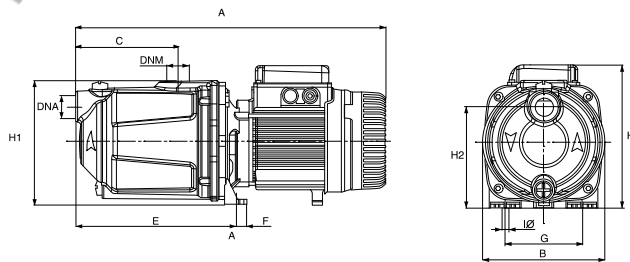
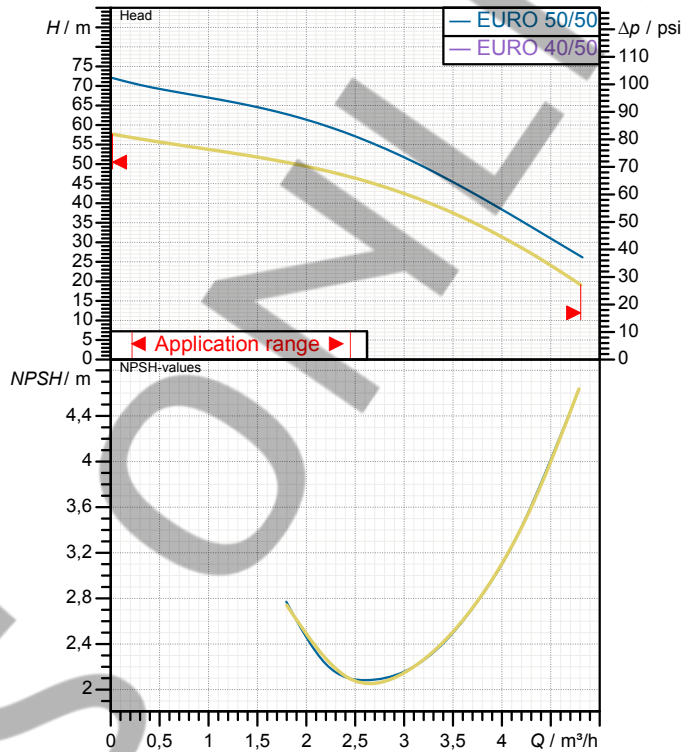
Materials

Pump body : Cast iron 200 UNI ISO 185
Impeller : Technopolymer
Shaft with rotor : AISI 304 X5 Cr Ni 1810 UNI 6900/71
OR ring : NBR
Diffuser : Technopolymer
Mechanical seal : Carbon/Ceramic
Disc seal : AISI 304 X5 Cr Ni 1810 UNI 6900/71

Motor data

Motor brand : DAB
Nominal power P2 : 0,75 kW
Rated speed : 2800 1/min
Rated voltage : 3~ 230 V 50 Hz
Nominal current : 3,8 A
Degree of protection : IP 44

Curve tolerance according to ISO 9906



Dimensions in

mm

B	175	G	111				
DNA	1" G	H1	179				
DNM	1" G	H2	143,5				
F	13,5	I O	9				

Weight :

Pump connection

Suction side : 1" G / 8 bar (800 kPa)
Discharge side : 1" G / 8 bar (800 kPa)



PERFORMANCE CURVES

02/08/2015

Page 2 / 3

DAB PUMPS S.p.A.
Via Marco Polo, 14 - 35035 Mestrino (PD), Italy
Tel. +39 049 5125000 - Fax +39 049 5125950
www.dabpumps.com

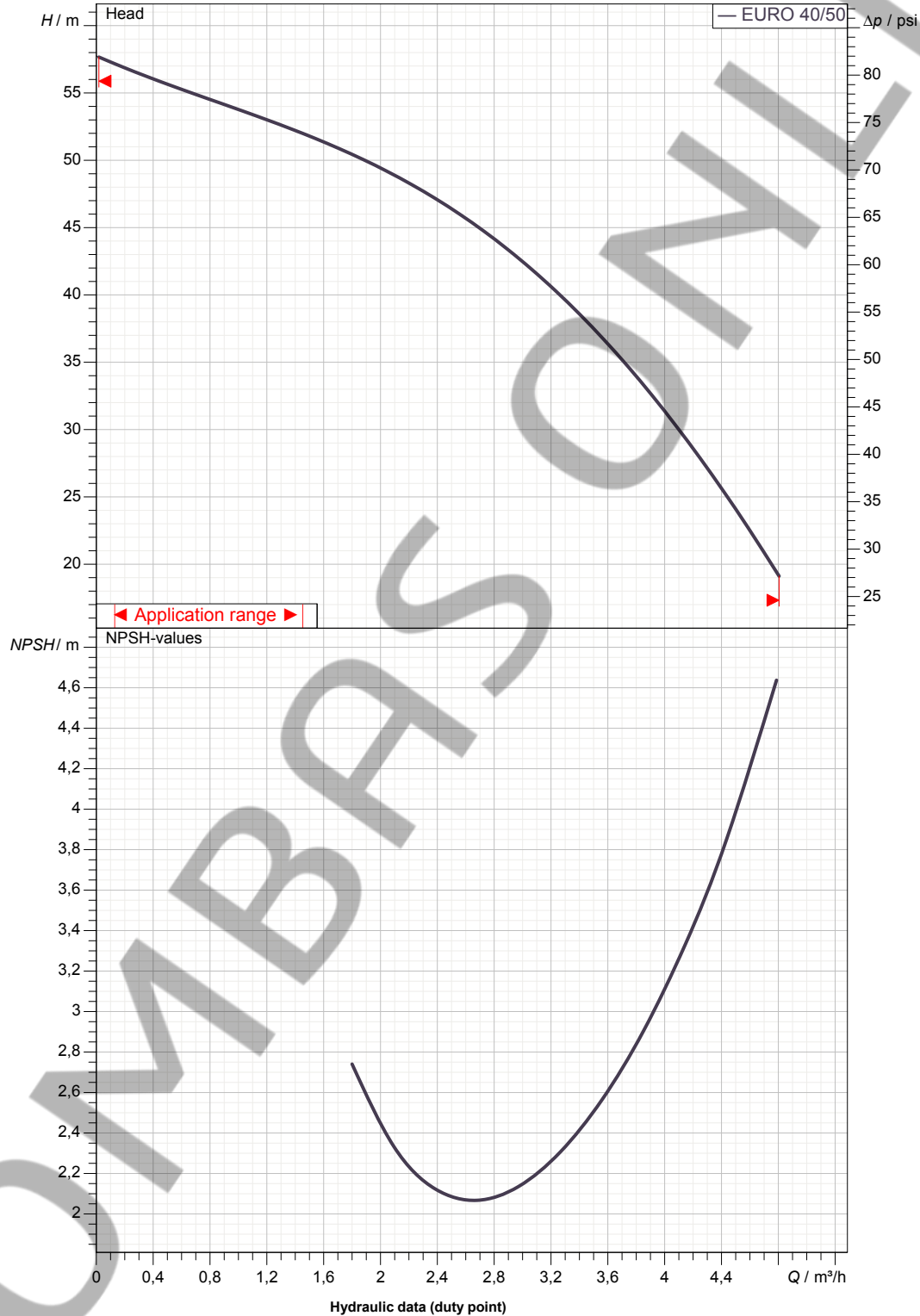
Receiver

From

Society
Reference
Address
Phone
Fax
E-mail

EURO 40/50 T

Curve tolerance according to ISO 9906



Suction side :
1" G
8 bar (800 kPa)

Discharge side :
1" G
8 bar (800 kPa)

Flow :

Head :

Rated speed :
2800 1/min

MAIN_PROJECT_TITLE

BUSINESS_PROCESS_ID

OWNER_

ISSUE_DATE



DIMENSIONAL DRAWING

02/08/2015

Page 3 / 3

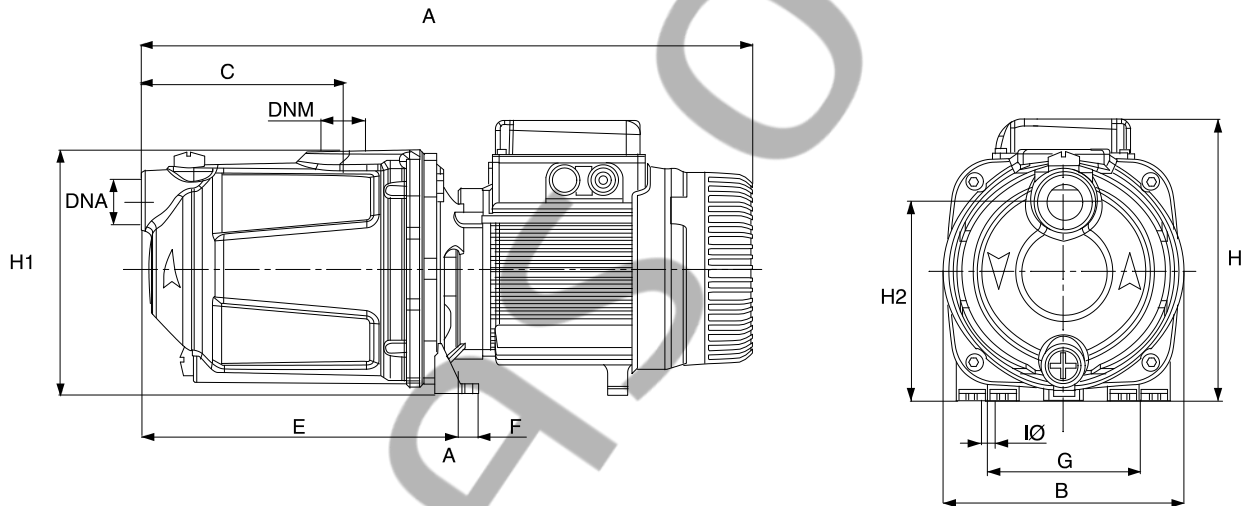
DAB PUMPS S.p.A.
Via Marco Polo, 14 - 35035 Mestrino (PD), Italy
Tel. +39 049 5125000 - Fax +39 049 5125950
www.dabpumps.com

Receiver

From

Society
Reference
Address
Phone
Fax
E-mail

EURO 40/50 T



Dimensions in mm

Pump connection

1	B	175
2	DNA	1" G
3	DNM	1" G
4	F	13,5
5	G	111
6	H1	179
7	H2	143,5
8	I Ø	9

Suction
1" G
8 bar (800 kPa)

Discharge
1" G
8 bar (800 kPa)

MAIN_PROJECT_TITLE

BUSINESS_PROCESS_ID

OWNER_

ISSUE_DATE