



DATA SHEET

DAB PUMPS S.p.A.
Via Marco Polo, 14 - 35035 Mestrino (PD), Italy
Tel. +39 049 5125000 - Fax +39 049 5125950
www.dabpumps.com

02/08/2016

Page 1 / 3

Receiver

From

Society
Reference
Address
Phone
Fax
E-mail

Item n° :

102970070

Model :

EURO 30/50 T

Pump data

Pressure rating : 8 bar (800 kPa)
Min. fluid temperature : 0 °C
Max. fluid temperature : 35 °C
Max. Ambient temperature : 40 °C

Requested data

Flow :
Head :
Fluid : Water
Fluid Temperature : 20 °C
Density : 998,3 kg/m³
Kinematic viscosity : 1,005 mm²/s
Vapor pressure :

Hydraulic data (duty point)

Flow :
Head :

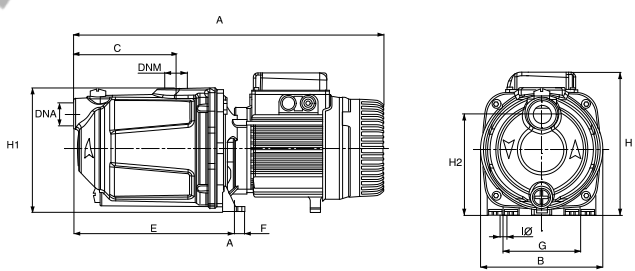
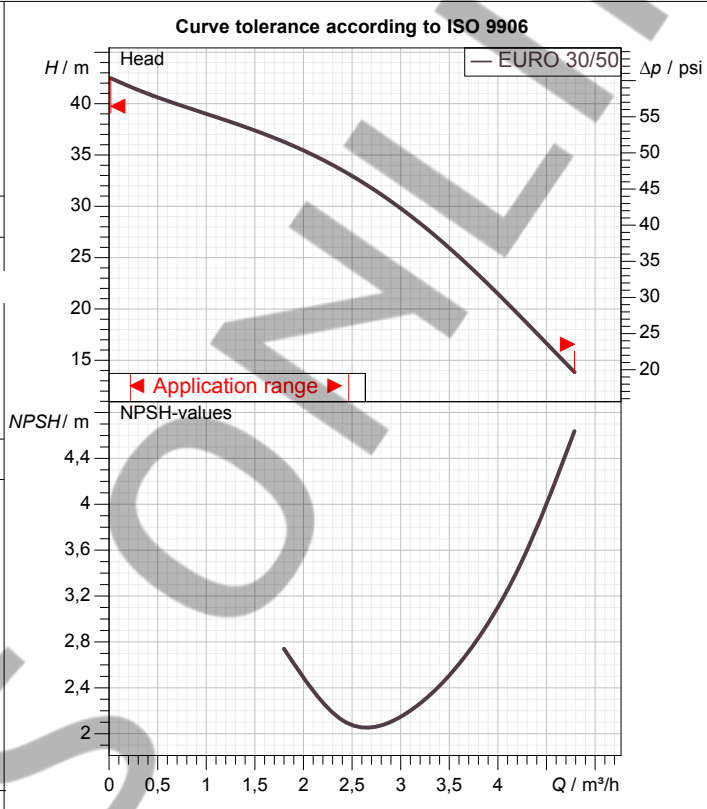
Materials

Pump body : Cast iron 200 UNI ISO 185
Impeller : Technopolymer
Shaft with rotor : AISI 304 X5 Cr Ni 1810 UNI 6900/71
OR ring : NBR
Diffuser : Technopolymer
Mechanical seal : Carbon/Ceramic
Disc seal : AISI 304 X5 Cr Ni 1810 UNI 6900/71

Motor data

Motor brand : DAB
Nominal power P2 : 0,55 kW
Rated speed : 2850 1/min
Rated voltage : 3~ 400 V
Nominal current : 1,6 A
Degree of protection : IP 44

50 Hz



Weight : 11,5 kg

Dimensions in		mm			
A	378	E	180	H2	143,5
B	175	F	13,5	I Ø	9
C	94,5	G	111		
DNA	1"G	H	194		
DNM	1"G	H1	179		

Pump connection	
Suction side :	1" G / 8 bar (800 kPa)
Discharge side :	1" G / 8 bar (800 kPa)



PERFORMANCE CURVES

02/08/2015

Page 2 / 3

DAB PUMPS S.p.A.
Via Marco Polo, 14 - 35035 Mestrino (PD), Italy
Tel. +39 049 5125000 - Fax +39 049 5125950
www.dabpumps.com

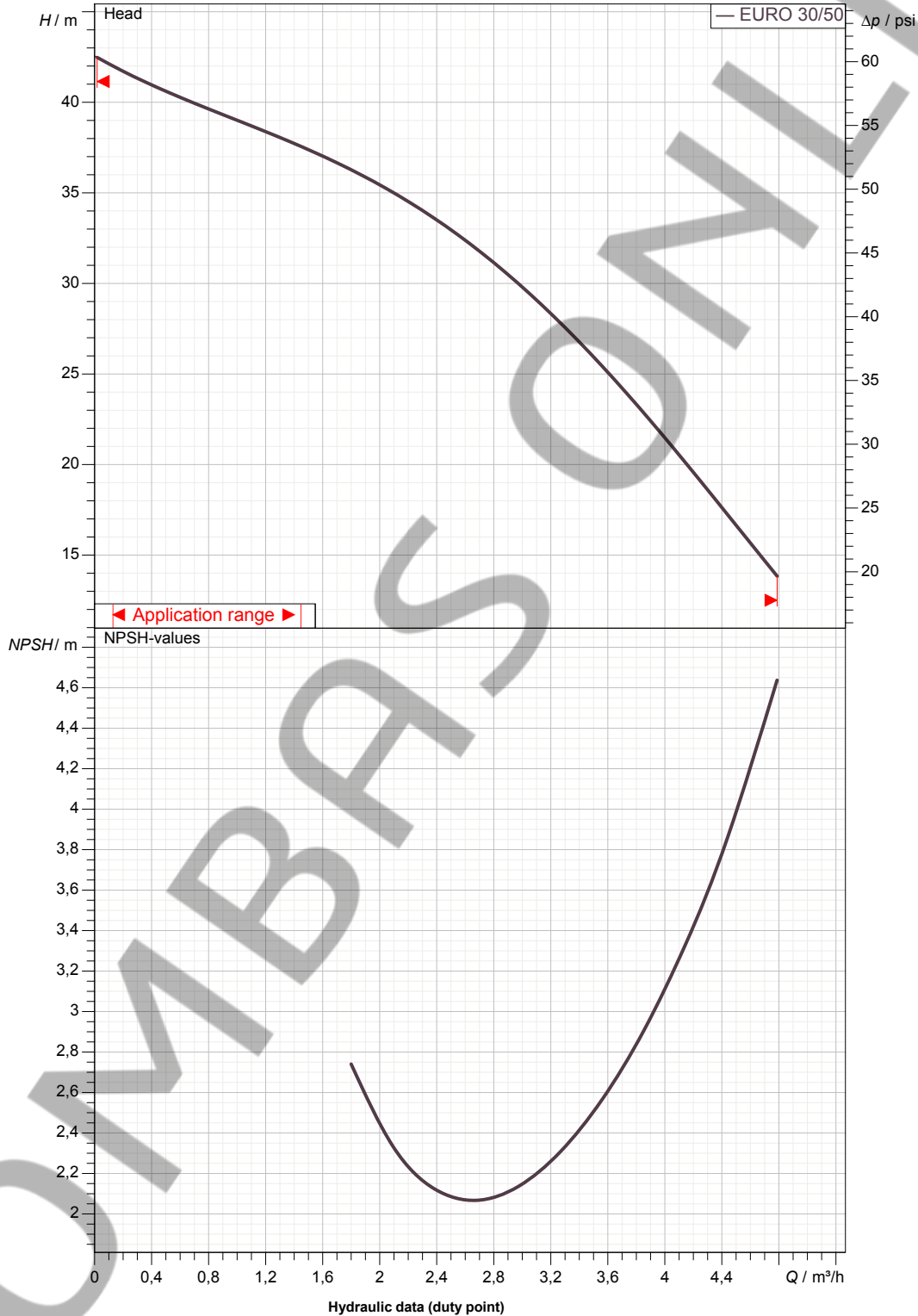
Receiver

From

Society
Reference
Address
Phone
Fax
E-mail

EURO 30/50 T

Curve tolerance according to ISO 9906



Suction side :
1" G
8 bar (800 kPa)

Discharge side :
1" G
8 bar (800 kPa)

Flow :

Head :

Rated speed :
2850 1/min

MAIN_PROJECT_TITLE

BUSINESS_PROCESS_IC

OWNER_

ISSUE_DATE



DIMENSIONAL DRAWING

02/08/2015

Page 3 / 3

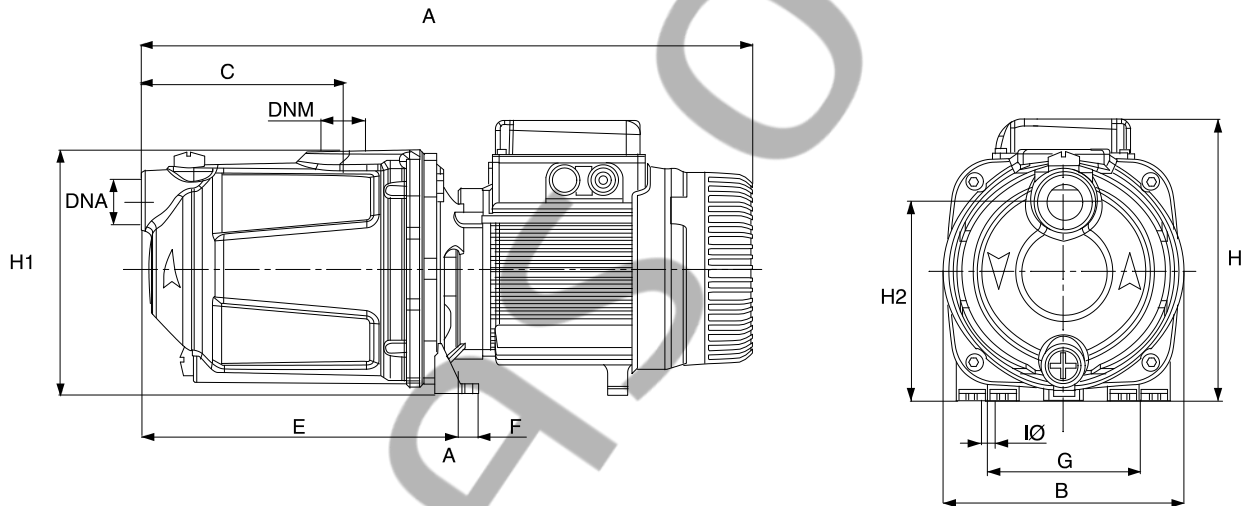
DAB PUMPS S.p.A.
Via Marco Polo, 14 - 35035 Mestrino (PD), Italy
Tel. +39 049 5125000 - Fax +39 049 5125950
www.dabpumps.com

Receiver

From

Society
Reference
Address
Phone
Fax
E-mail

EURO 30/50 T



Dimensions in mm

1	A	378
2	B	175
3	C	94,5
4	DNA	1" G
5	DNM	1" G
6	E	180
7	F	13,5
8	G	111
9	H	194
10	H1	179
11	H2	143,5
12	IØ	9

Pump connection

Suction
1" G
8 bar (800 kPa)

Discharge
1" G
8 bar (800 kPa)

MAIN_PROJECT_TITLE

BUSINESS_PROCESS_ID

OWNER_

ISSUE_DATE