

DIVERTRON

6" ELECTRONIC MULTI-IMPELLER PUMP



TECHNICAL DATA

Operating range: from 1 to 5,4 m³/h with head up to 46 metres.
Pumped liquid: clean, free of solids and abrasives, non-aggressive.
Liquid temperature range: from 0 °C to +35 °C.
Max. immersion depth: 12 metres.
Motor protection class: IP 68.
Motor protection rating: F.
Installation: fixed or portable, vertical position.
Operation: Manual or automatic with electronic ON/OFF (continuous duty with totally submerged pump).
Discharge port diameter: 1".
Pump maximum diameter: 150 mm.

APPLICATIONS

Multi-impeller submersible pump with integrated electronics for automatic switching on and off. Ideal for use in rain water systems and watering networks, to pump water from cisterns, ponds, and wells, and for other applications requiring high pressure. Available with 3 or 4 impellers. Built-in pressure switch, control circuit board and sensor. Dry run protection. Built-in non-return valve at the delivery. Easy to use and highly reliable. Suitable for pumping clean waters. Very efficient motor cooling, allowing the pump to also be used only partially submerged. Supplied with stainless steel suction filter or stainless steel connection fitting for use with suction kits, particularly suitable for tanks with debris or dirt lying at the bottom. A version complete with suction kit is also available.

CONSTRUCTION FEATURES OF THE PUMP

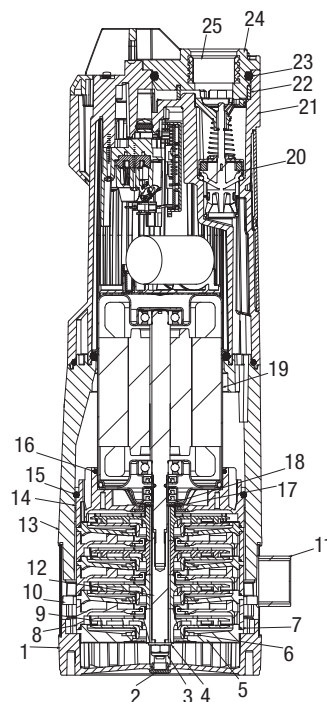
Corrosion and oxidation resistant material. Stainless steel debris strainer.

CONSTRUCTION FEATURES OF THE MOTOR

Submersible type continuous duty asynchronous motor. Thermal overheating protection. Wear-resistant motor shaft.

MATERIALS

| N. | PARTS | MATERIALS |
|----|--------------------|--|
| 1 | BASE | TECHNOPOLYMER |
| 2 | PLUG | TECHNOPOLYMER |
| 3 | NUT | A2 UNI 7474 STAINLESS STEEL |
| 4 | WASHER | A2 STAINLESS STEEL |
| 5 | FINAL DIFFUSER CAP | TECHNOPOLYMER |
| 6 | THRUST RING | TECHNOPOLYMER |
| 7 | OR RING | NBR |
| 8 | DIFFUSER | TECHNOPOLYMER |
| 9 | IMPELLER | TECHNOPOLYMER/AISI 304 STAINLESS STEEL |
| 10 | SPACER | TECHNOPOLYMER |
| 11 | STRAINER RING | AISI 304 STAINLESS STEEL |
| 12 | SHAFT | AISI 303 STAINLESS STEEL |
| 13 | BODY | TECHNOPOLYMER |
| 14 | DIFFUSER SUPPORT | TECHNOPOLYMER |
| 15 | OR RING | NBR |
| 16 | OR RING | NBR |
| 17 | WASHER | A2 STAINLESS STEEL |
| 18 | WASHER | A2 STAINLESS STEEL |
| 19 | MOTOR | CASE ALUMINIUM |
| | | ROTOR SHAFT AISI 416 STAINLESS STEEL |
| 20 | NON-RETURN VALVE | TECHNOPOLYMER/NBR/SILOPREN FERRIMAX/AISI 302 |
| 21 | COVER | TECHNOPOLYMER |
| 22 | SAND STRAINER | TECHNOPOLYMER |
| 23 | OR RING | NBR |
| 24 | DELIVERY COVER | TECHNOPOLYMER |
| 25 | INSERT | NICKEL PLATED BRASS |



DIVERTRON

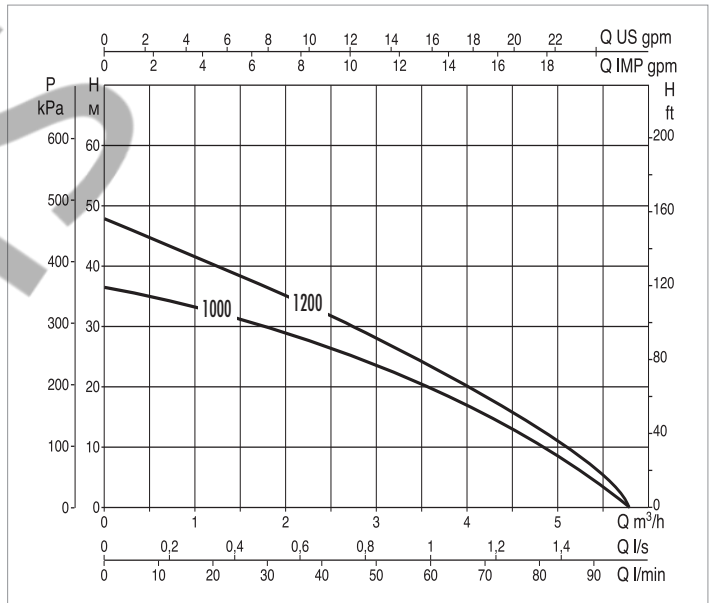
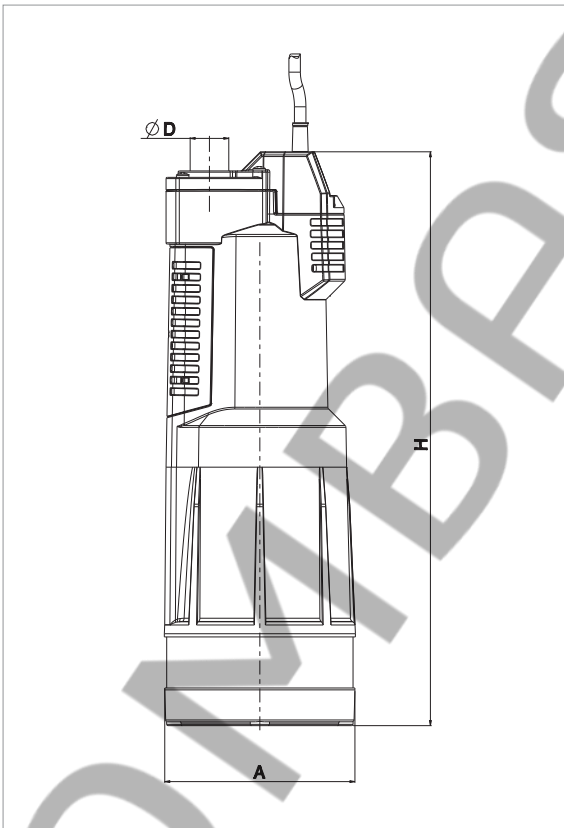
6" ELECTRONIC MULTI-IMPELLER PUMP

PERFORMANCE AT 50 Hz

| MODEL | ELECTRICAL DATA | | HYDRAULIC DATA | | | | | | | | |
|--------------------|-----------------|------|----------------|----|------|------|------|------|------|-----|-----|
| | P2 NOMINAL | | Q=m³/h | 0 | 0,9 | 1,8 | 2,7 | 3,6 | 4,5 | 5,1 | 5,4 |
| | kW | HP | Q=l/min | 0 | 15 | 30 | 45 | 60 | 75 | 85 | 90 |
| DIVERTRON 1000 M | 0,65 | 0,88 | H (m) | 36 | 32,6 | 28,5 | 23,6 | 17 | 9,5 | 4,6 | 1,8 |
| DIVERTRON X 1000 M | 0,65 | 0,88 | | 36 | 32,6 | 28,5 | 23,6 | 17 | 9,5 | 4,6 | 1,8 |
| DIVERTRON 1200 M | 0,75 | 1 | | 46 | 41 | 35,5 | 29,2 | 21,8 | 13,5 | 7,8 | 3,5 |
| DIVERTRON X 1200 M | 0,75 | 1 | | 46 | 41 | 35,5 | 29,2 | 21,8 | 13,5 | 7,8 | 3,5 |

ELECTRICAL DATA AND DIMENSIONS

| MODEL | ELECTRICAL DATA | | | | | A | Ø D | H | DNM | PACKING DIMENSIONS | | | PACKING VOLUME m³ | Q.TY X PALLET | WEIGHT kg |
|--------------------|-------------------|-------|------------|------|------|-----|-----|-----|-----|--------------------|-----|-----|-------------------|---------------|-----------|
| | POWER INPUT 50 Hz | P1 kW | P2 NOMINAL | | In A | | | | | | | | | | |
| | | | kW | HP | | | | | | | | | | | |
| DIVERTRON 1000 M | 1x230 V~ | 900 | 0,65 | 0,88 | 3,8 | 150 | 30 | 450 | 1" | 230 | 190 | 500 | 0,02 | 40 | 11 |
| DIVERTRON X 1000 M | 1x230 V~ | 900 | 0,65 | 0,88 | 3,8 | 150 | 30 | 450 | 1" | 230 | 190 | 500 | 0,02 | 40 | 11 |
| DIVERTRON 1200 M | 1x230 V~ | 1100 | 0,75 | 1 | 4,8 | 150 | 30 | 480 | 1" | 230 | 190 | 500 | 0,02 | 40 | 11 |
| DIVERTRON X 1200 M | 1x230 V~ | 1100 | 0,75 | 1 | 4,8 | 150 | 30 | 480 | 1" | 230 | 190 | 500 | 0,02 | 40 | 11 |



The performance curves are based on kinematic viscosity values = 1 mm²/s and density equivalent to 1000 kg/m³. Curve tolerance according to ISO 9906.