



DATA SHEET

DAB PUMPS S.p.A.
Via Marco Polo, 14 - 35035 Mestrino (PD), Italy
Tel. +39 049 5125000 - Fax +39 049 5125950
www.dabpumps.com

30/07/2016

Page 1 / 3

Receiver

From

Society
Reference
Address
Phone
Fax
E-mail

Item n° :

60112991

Model :

VD 65/220.32

Pump data

Pressure rating : PN 10
Min. fluid temperature : -10 °C
Max. fluid temperature : 110 °C

Minimum suction head :

Temperature °C
Minimum suction head : m

Requested data

Flow :
Head :
Fluid (%) :
Fluid Temperature : 20 °C
Density : 998,3 kg/m³
Kinematic viscosity : 1,005 mm²/s
Vapor pressure :

Hydraulic data (duty point)

Flow :
Head :

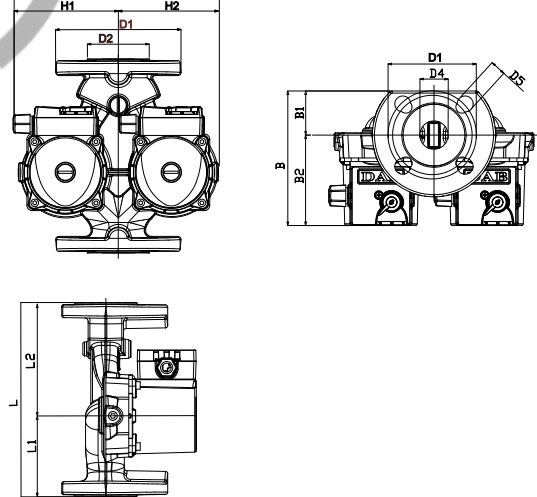
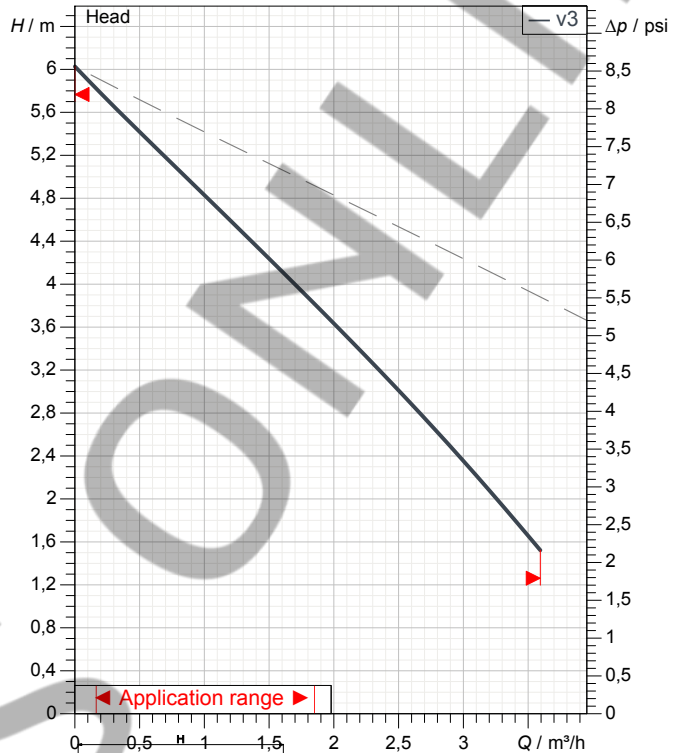
Materials

Pump body Cast iron
Impeller Technopolymer
Motor shaft Stainless steel
Air vent plug Brass
Seal ring Etylene propylene
Motor casing Die cast aluminium
Stator jacket Stainless steel

Motor data

Motor brand : DAB
Power input P1 : 0,078 kW
Rated speed : 2310 1/min
Rated voltage : 1~ 230 V 50 Hz
Nominal current : 0,34 A
Degree of protection : IP 44

Curve tolerance according to ISO 9906



Dimensions in mm

B	150	H2	115				
B1	50	L	220				
B2	100	L1	91,5				
H	230	L2	128,5				
H1	115						

Weight : 8,2 kg

Pump connection

Suction side : DN 32 / PN 10
Discharge side : DN 32 / PN 10



PERFORMANCE CURVES

30/07/2015

Page 2 / 3

DAB PUMPS S.p.A.
Via Marco Polo, 14 - 35035 Mestrino (PD), Italy
Tel. +39 049 5125000 - Fax +39 049 5125950
www.dabpumps.com

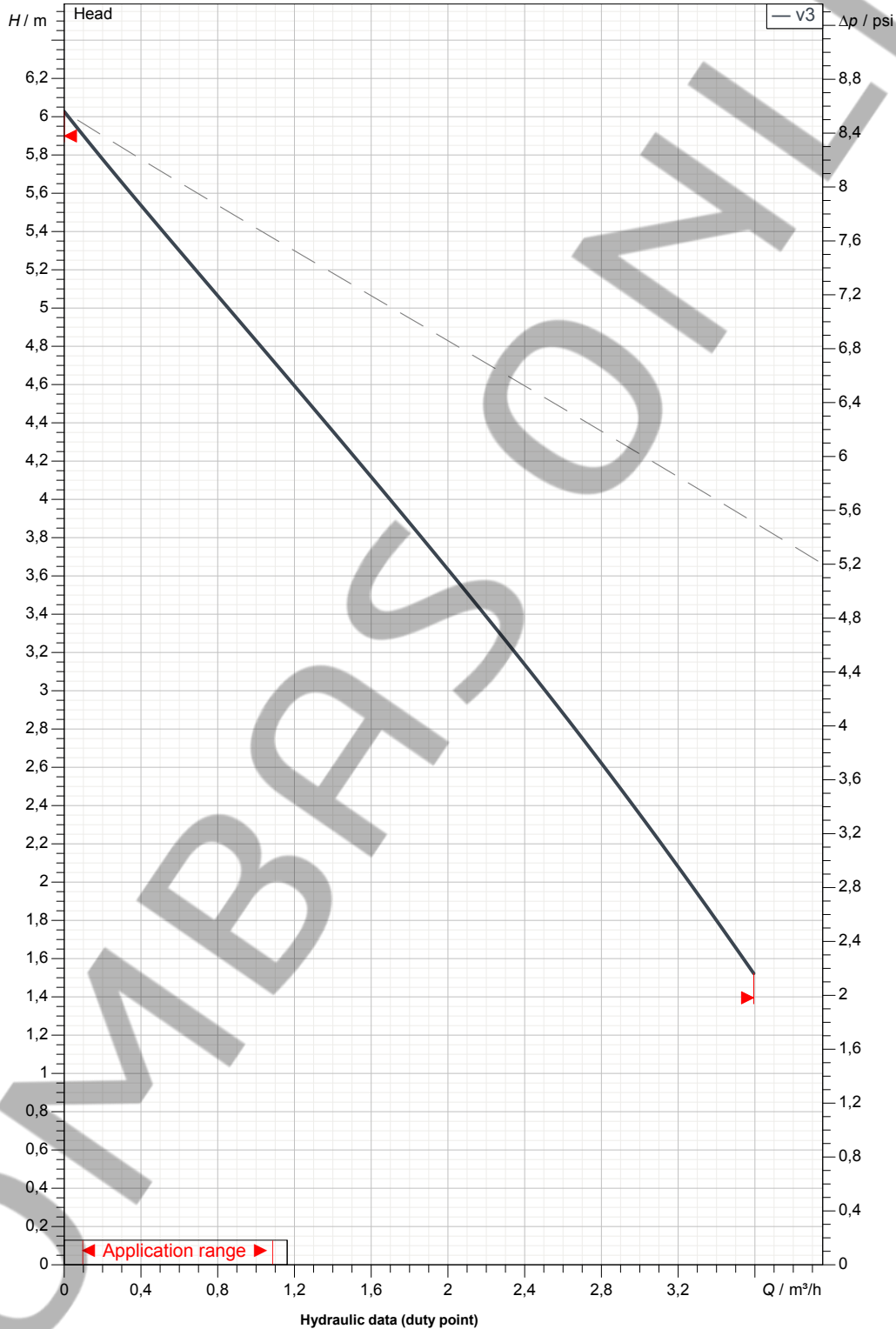
Receiver

From

Society
Reference
Address
Phone
Fax
E-mail

VD 65/220.32

Curve tolerance according to ISO 9906



Suction side :
DN 32
PN 10

Discharge side :
DN 32
PN 10

Flow :

Head :

Rated speed :
2310 1/min

MAIN_PROJECT_TITLE

BUSINESS_PROCESS_IT

OWNER_

ISSUE_DATE



DIMENSIONAL DRAWING

30/07/2015

Page 3 / 3

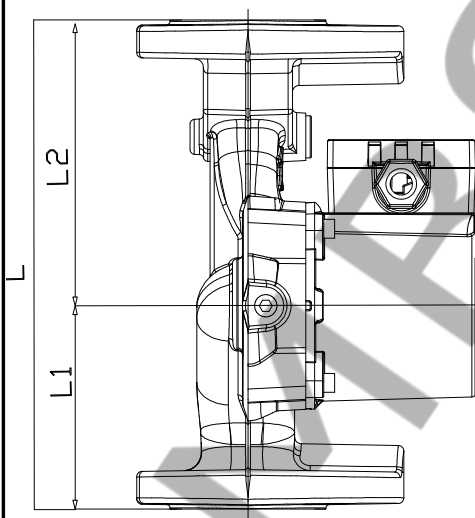
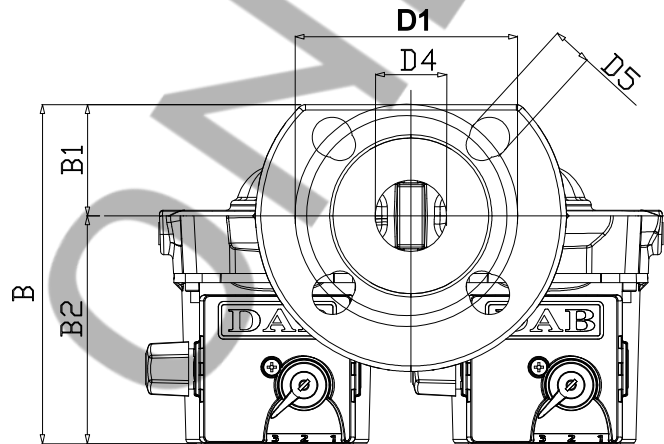
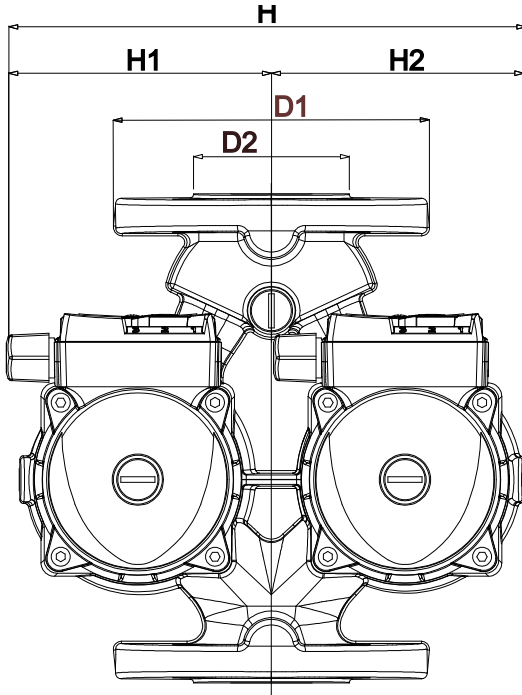
DAB PUMPS S.p.A.
Via Marco Polo, 14 - 35035 Mestrino (PD), Italy
Tel. +39 049 5125000 - Fax +39 049 5125950
www.dabpumps.com

Receiver

From

Society
Reference
Address
Phone
Fax
E-mail

VD 65/220.32



Dimensions in mm

1	B	150
2	B1	50
3	B2	100
4	H	230
5	H1	115
6	H2	115
7	L	220
8	L1	91,5
9	L2	128,5

Pump connection

Suction
DN 32
PN 10

Discharge
DN 32
PN 10

MAIN_PROJECT_TITLE

BUSINESS_PROCESS_ID

OWNER_

ISSUE_DATE