



DATA SHEET

DAB PUMPS S.p.A.
Via Marco Polo, 14 - 35035 Mestrino (PD), Italy
Tel. +39 049 5125000 - Fax +39 049 5125950
www.dabpumps.com

29/07/2016

Page 1 / 3

Receiver		From							
Society									
Reference									
Address									
Phone									
Fax									
E-mail									
Item n° : 60112900		<p>Curve tolerance according to ISO 9906</p>							
Model : VA 25/180									
Pump data									
Pressure rating :	10 bar (1000 KPa)								
Min. fluid temperature :	-10 °C								
Max. fluid temperature :	110 °C								
Minimum suction head :									
Temperature	°C								
Minimum suction head :	m								
Requested data									
Flow :									
Head :									
Fluid (%) :									
Fluid Temperature :	20 °C								
Density :	998,3 kg/m³								
Kinematic viscosity :	1,005 mm²/s								
Vapor pressure :									
Hydraulic data (duty point)									
Flow :									
Head :									
Materials									
Pump body	Cast iron								
Impeller	Technopolymer								
Motor shaft	Stainless steel								
Air vent plug	Brass								
Seal ring	Etylene propylene								
Motor casing	Die cast aluminium								
Stator jacket	Stainless steel								
Motor data		Dimensions in mm							
Motor brand :	DAB	B	104	H1	75				
Power input P1 :	0,043 kW	B1	78	H2	49				
Rated speed :	2655 1/min	B2	26	L	180				
Rated voltage :	1~ 230 V	F	1" 1/2	L1	98				
	50 Hz	H	124	L2	60				
Nominal current :	0,19 A	Weight : 2,6 kg							
Degree of protection :	IP 44	Pump connection							
		Suction side :		1" 1/2 G / 10 bar (1000 KPa)					
		Discharge side :		1" 1/2 G / 10 bar (1000 KPa)					



PERFORMANCE CURVES

29/07/2015

Page 2 / 3

DAB PUMPS S.p.A.
Via Marco Polo, 14 - 35035 Mestrino (PD), Italy
Tel. +39 049 5125000 - Fax +39 049 5125950
www.dabpumps.com

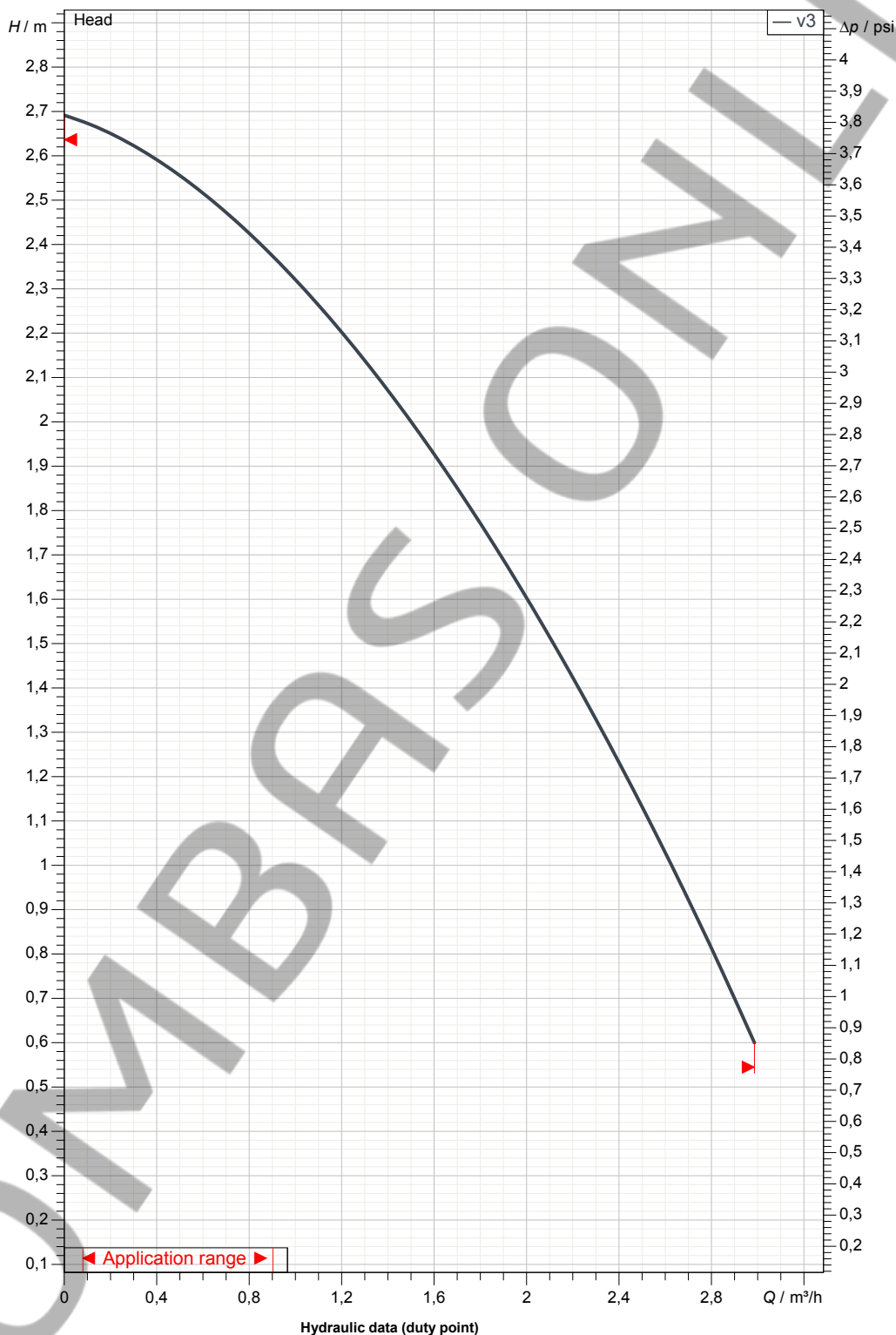
Receiver

From

Society
Reference
Address
Phone
Fax
E-mail

VA 25/180

Curve tolerance according to ISO 9906



Suction side :
1" 1/2 G
10 bar (1000 KPa)

Discharge side :
1" 1/2 G
10 bar (1000 KPa)

Flow :

Head :

Rated speed :
2655 1/min

MAIN_PROJECT_TITLE

BUSINESS_PROCESS_IC

OWNER_

ISSUE_DATE



DIMENSIONAL DRAWING

29/07/2011

Page 3 / 3

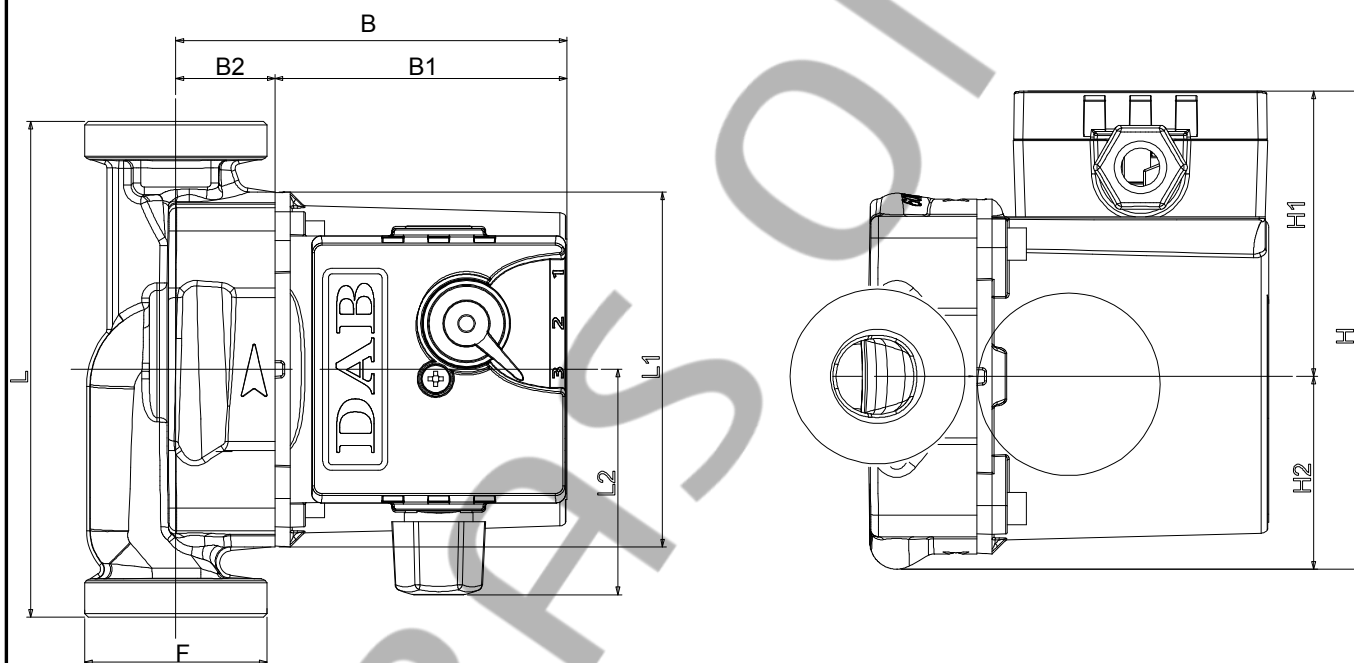
DAB PUMPS S.p.A.
Via Marco Polo, 14 - 35035 Mestrino (PD), Italy
Tel. +39 049 5125000 - Fax +39 049 5125950
www.dabpumps.com

Receiver

From

Society
Reference
Address
Phone
Fax
E-mail

VA 25/180



Dimensions in mm

Pump connection

1	B	104
2	B1	78
3	B2	26
4	F	1" 1/2
5	H	124
6	H1	75
7	H2	49
8	L	180
9	L1	98
10	L2	60

Suction
1" 1/2 G
10 bar (1000 KPa)

Discharge
1" 1/2 G
10 bar (1000 KPa)

MAIN_PROJECT_TITLE

BUSINESS_PROCESS_ID

OWNER

ISSUE_DATE