



# DATA SHEET

DAB PUMPS S.p.A.  
Via Marco Polo, 14 - 35035 Mestrino (PD), Italy  
Tel. +39 049 5125000 - Fax +39 049 5125950  
www.dabpumps.com

31/07/2016

Page 1 / 3

**Receiver**

**From**

Society  
Reference  
Address  
Phone  
Fax  
E-mail

**Item n° :**

505944002

**Model :**

BPH 60/340.65 M

**Pump data**

Pressure rating : PN 10  
Min. fluid temperature : -10 °C  
Max. fluid temperature : 110 °C

**Minimum suction head :**

Temperature	°C	75	90	110	120
Minimum suction head :	m	1	4	13	--

**Requested data**

Flow :  
Head :  
Fluid (%) :  
Fluid Temperature : 20 °C  
Density : 998,3 kg/m³  
Kinematic viscosity : 1,005 mm²/s  
Vapor pressure :

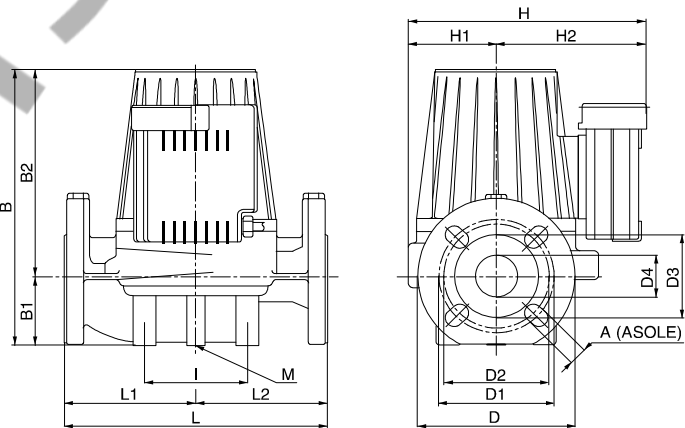
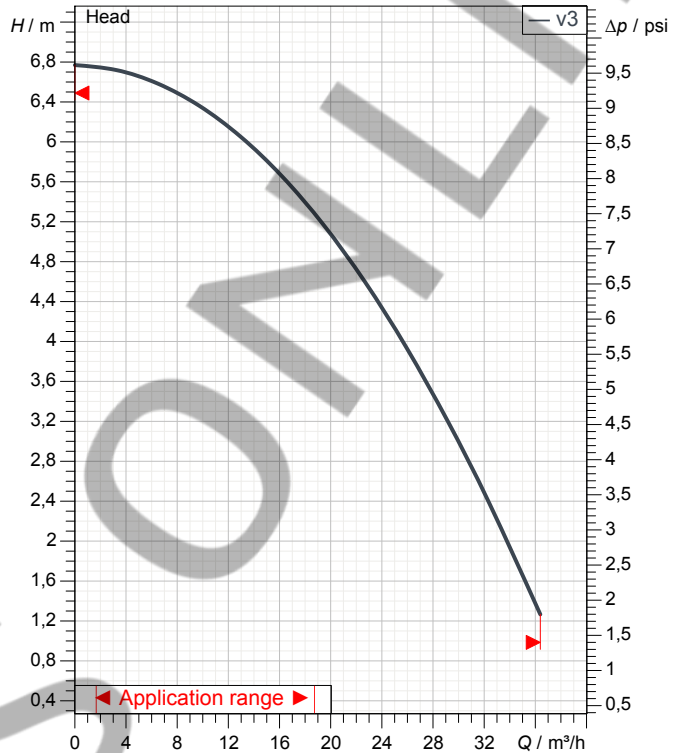
**Hydraulic data (duty point)**

Flow :  
Head :

**Materials**

Pump body	Cast iron 200 UNI ISO 185
Impeller	Technopolymer B
Motor shaft	AISI 420 C
Air vent plug	Brass P Cu Zn40 Pb2 UNI 5705
Seal ring	Ethylene propylene (EPDM)
Motor casing	Die cast aluminium
Stator jacket	AISI 321Bon. - AISI 304

Curve tolerance according to ISO 9906



**Motor data**

Motor brand : DAB  
Power input P1 : 0,7349 kW  
Rated speed : 2780 1/min  
Rated voltage : 1~ 230 V 50 Hz  
Nominal current : 3,37 A  
Degree of protection : IP 44

**Dimensions in mm**

A	18	D1	145	H1	100	I3	-
B	334	D2	130	H2	159	L	340
B1	82	D3	110	I	100	L1	170
B2	252	D4	65	I1	-	L2	170
D	185	H	259	I2	-	M	M12

**Weight :** 27,5 kg

**Pump connection**

Suction side : DN 65 / PN 10  
Discharge side : DN 65 / PN 10



**PERFORMANCE CURVES**

31/07/2015

Page 2 / 3

DAB PUMPS S.p.A.  
Via Marco Polo, 14 - 35035 Mestrino (PD), Italy  
Tel. +39 049 5125000 - Fax +39 049 5125950  
www.dabpumps.com

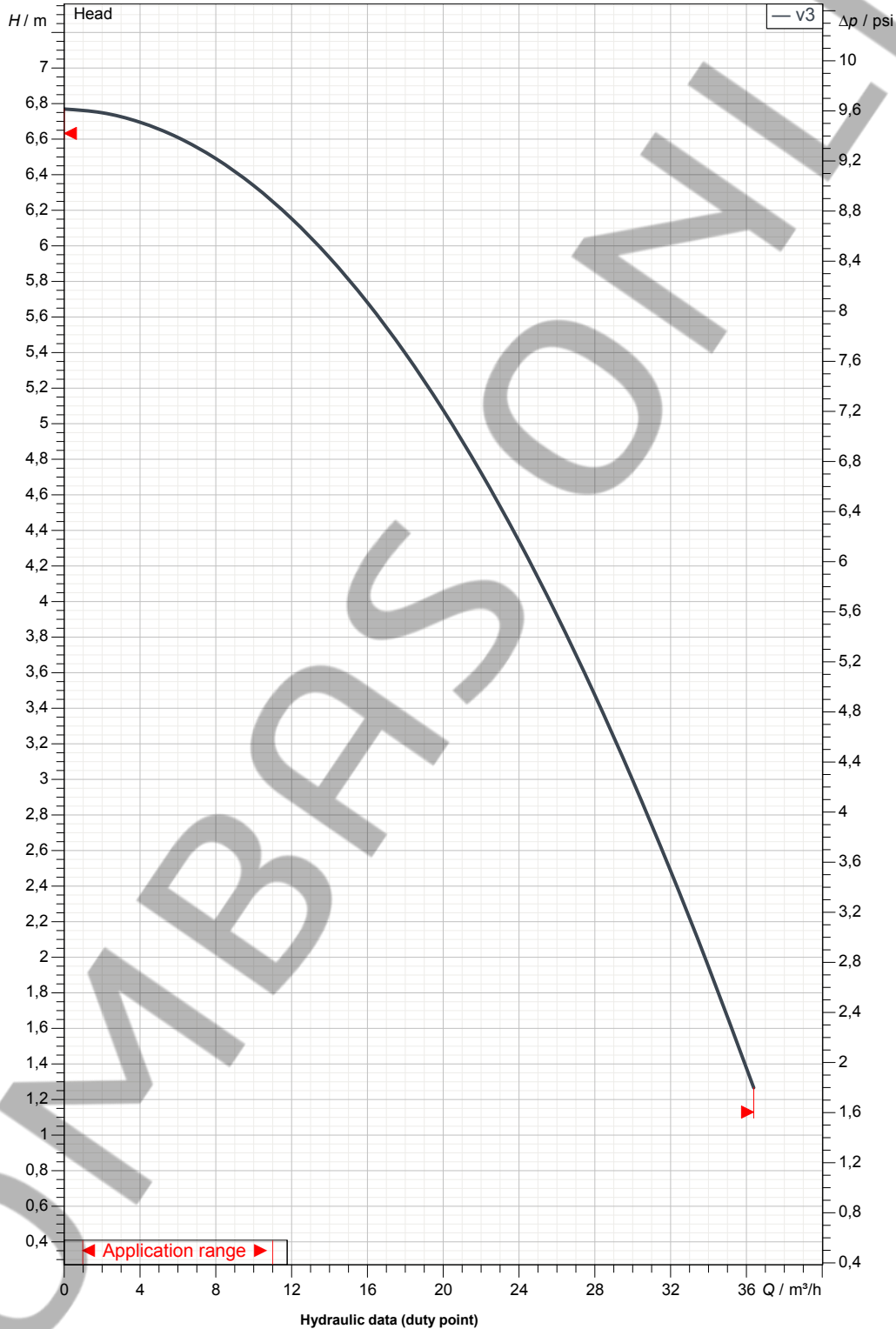
Receiver

From

Society  
Reference  
Address  
Phone  
Fax  
E-mail

**BPH 60/340.65 M**

Curve tolerance according to ISO 9906



Suction side :  
DN 65  
PN 10

Discharge side :  
DN 65  
PN 10

Flow :

Head :

Rated speed :  
2780 1/min

MAIN\_PROJECT\_TITLE

BUSINESS\_PROCESS\_ID

OWNER\_

ISSUE\_DATE



**DIMENSIONAL DRAWING**

31/07/2015

Page 3 / 3

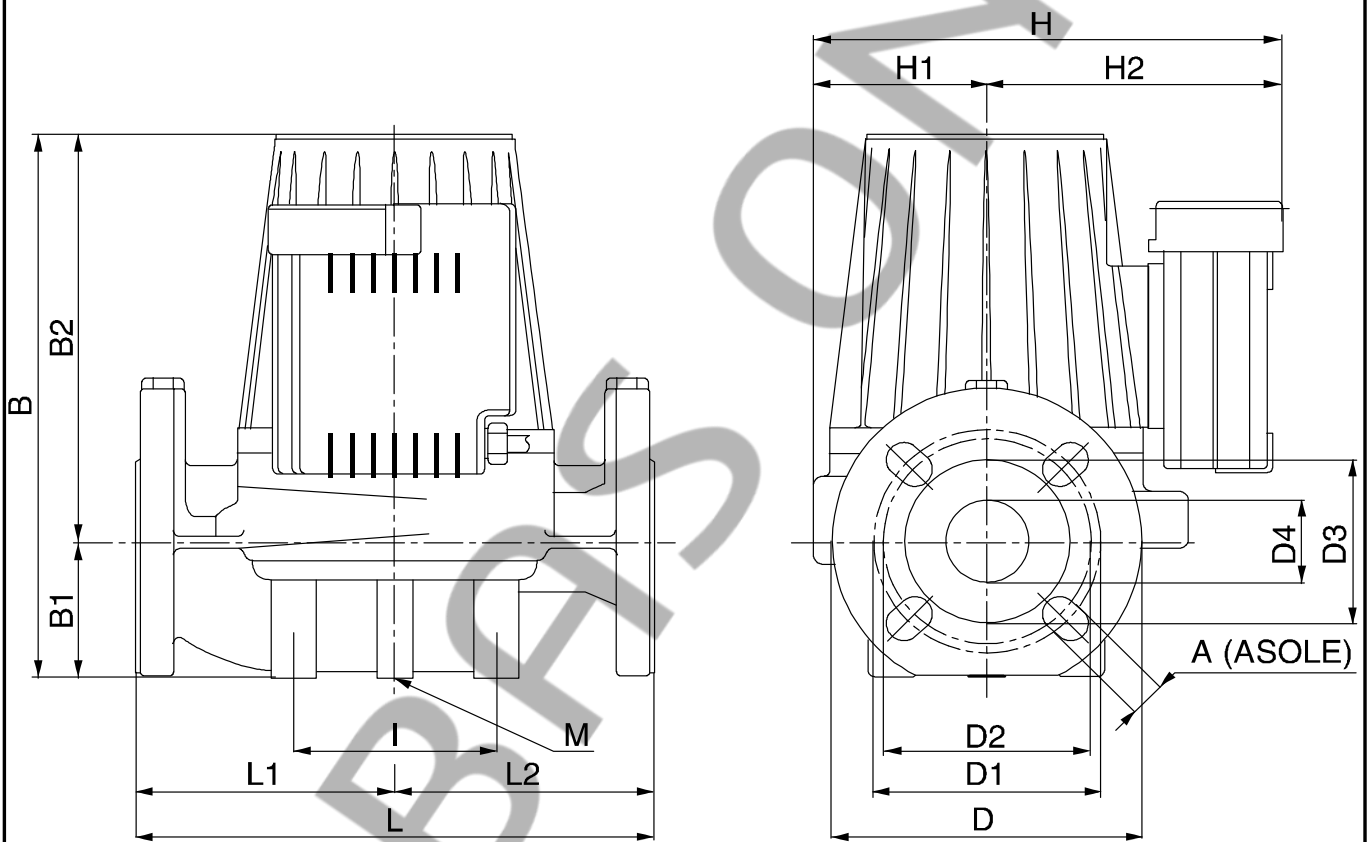
DAB PUMPS S.p.A.  
Via Marco Polo, 14 - 35035 Mestrino (PD), Italy  
Tel. +39 049 5125000 - Fax +39 049 5125950  
www.dabpumps.com

Receiver

From

Society  
Reference  
Address  
Phone  
Fax  
E-mail

**BPH 60/340.65 M**



**Dimensions in mm**

**Pump connection**

1	A	18	I	100			
2	B	334	I1	-			Suction
3	B1	82	I2	-			DN 65
4	B2	252	I3	-			PN 10
5	D	185	L	340			
6	D1	145	L1	170			
7	D2	130	L2	170			Discharge
8	D3	110	M	M12			DN 65
9	D4	65					PN 10
10	H	259					
11	H1	100					
12	H2	159					

MAIN_PROJECT_TITLE	BUSINESS_PROCESS_ID	OWNER	ISSUE_DATE
--------------------	---------------------	-------	------------