



DATA SHEET

DAB PUMPS S.p.A.
Via Marco Polo, 14 - 35035 Mestrino (PD), Italy
Tel. +39 049 5125000 - Fax +39 049 5125950
www.dabpumps.com

31/07/2016

Page 1 / 3

Receiver

From

Society
Reference
Address
Phone
Fax
E-mail

Item n° :

505969122

Model :

BPH 180/360.80 T

Pump data

Pressure rating : PN 10
Min. fluid temperature : -10 °C
Max. fluid temperature : 110 °C

Minimum suction head :

Temperature	°C	75	90	110	120
Minimum suction head :	m	7	11	18	--

Requested data

Flow :
Head :
Fluid (%) :
Fluid Temperature : 20 °C
Density : 998,3 kg/m³
Kinematic viscosity : 1,005 mm²/s
Vapor pressure :

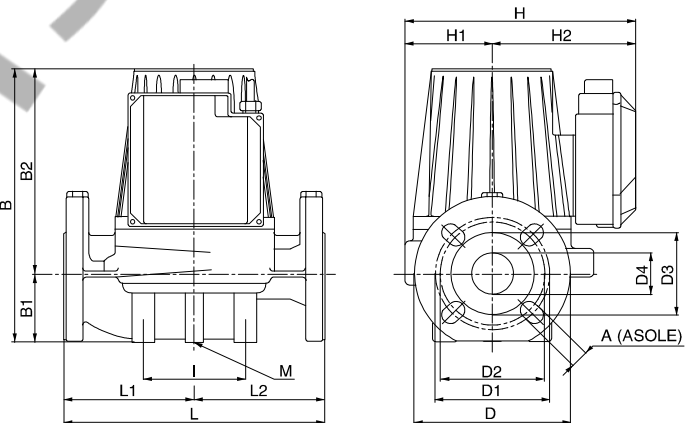
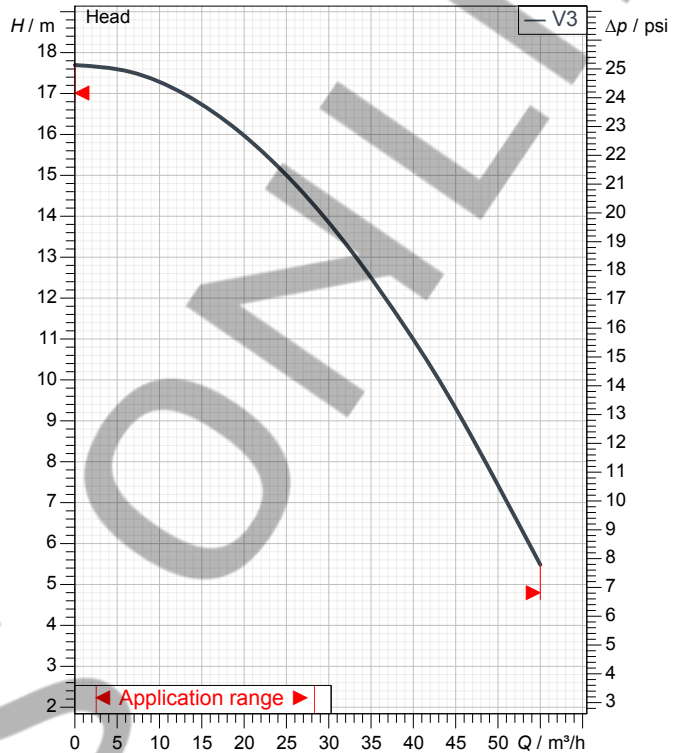
Hydraulic data (duty point)

Flow :
Head :

Materials

Pump body	Cast iron 200 UNI ISO 185
Impeller	Technopolymer B
Motor shaft	AISI 420 C
Air vent plug	Brass P Cu Zn40 Pb2 UNI 5705
Seal ring	Ethylene propylene (EPDM)
Motor casing	Die cast aluminium
Stator jacket	AISI 321Bon. - AISI 304

Curve tolerance according to ISO 9906



Motor data

Motor brand : DAB
Power input P1 : 2,309 kW
Rated speed : 2780 1/min
Rated voltage : 3~ 400 V 50 Hz
Nominal current : 4 A
Degree of protection : IP 44

Dimensions in mm

A	18	D1	160	H1	100	I3	-
B	404	D2	150	H2	159	L	360
B1	97	D3	130	I	115	L1	170
B2	307	D4	80	I1	-	L2	190
D	200	H	259	I2	-	M	M12

Weight : 40 kg

Pump connection

Suction side : DN 80 / PN 10
Discharge side : DN 80 / PN 10



PERFORMANCE CURVES

31/07/2015

Page 2 / 3

DAB PUMPS S.p.A.
Via Marco Polo, 14 - 35035 Mestrino (PD), Italy
Tel. +39 049 5125000 - Fax +39 049 5125950
www.dabpumps.com

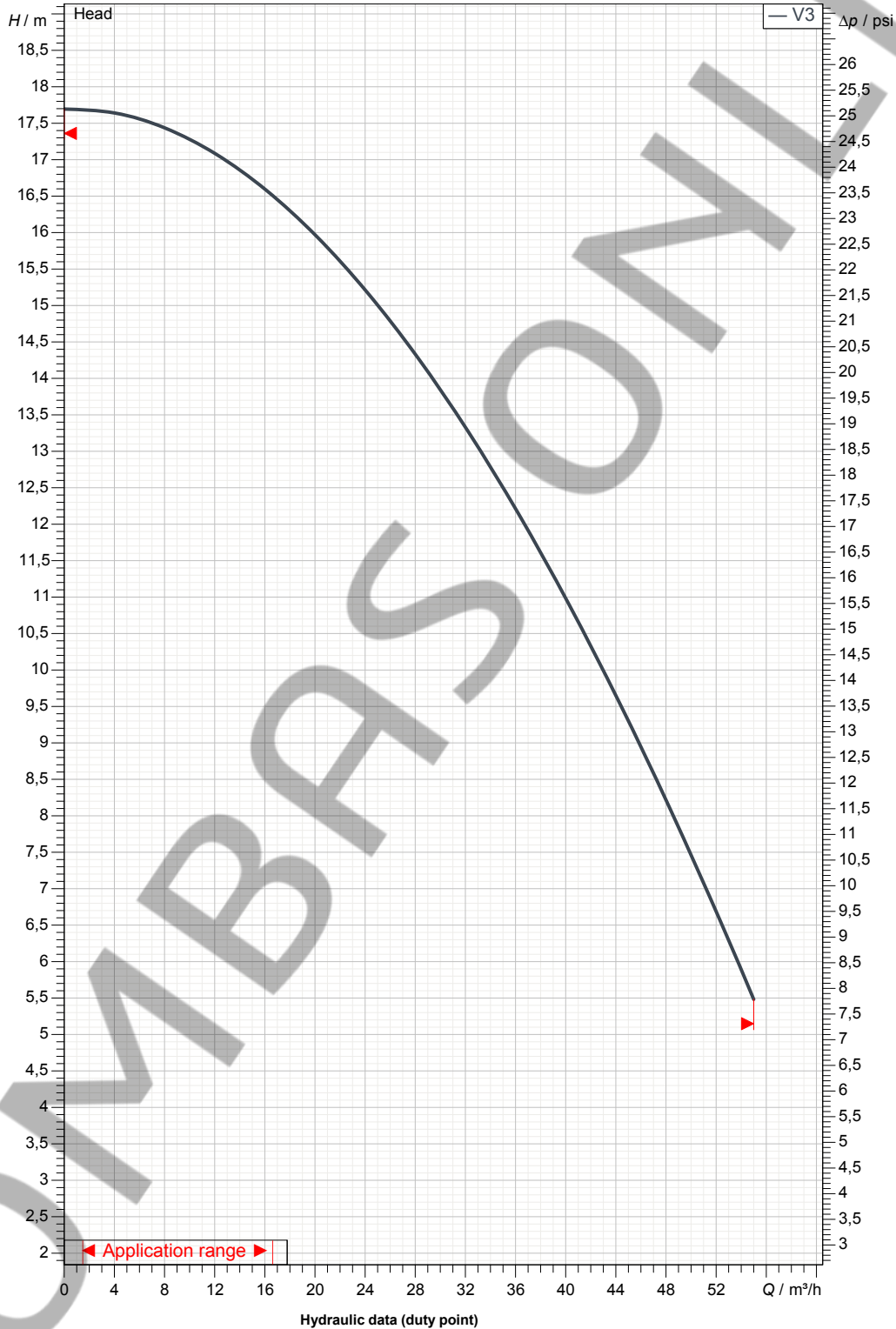
Receiver

From

Society
Reference
Address
Phone
Fax
E-mail

BPH 180/360.80 T

Curve tolerance according to ISO 9906



Suction side :
DN 80
PN 10

Discharge side :
DN 80
PN 10

Flow :

Head :

Rated speed :
2780 1/min

MAIN_PROJECT_TITLE

BUSINESS_PROCESS_IC

OWNER_

ISSUE_DATE



DIMENSIONAL DRAWING

31/07/2015

Page 3 / 3

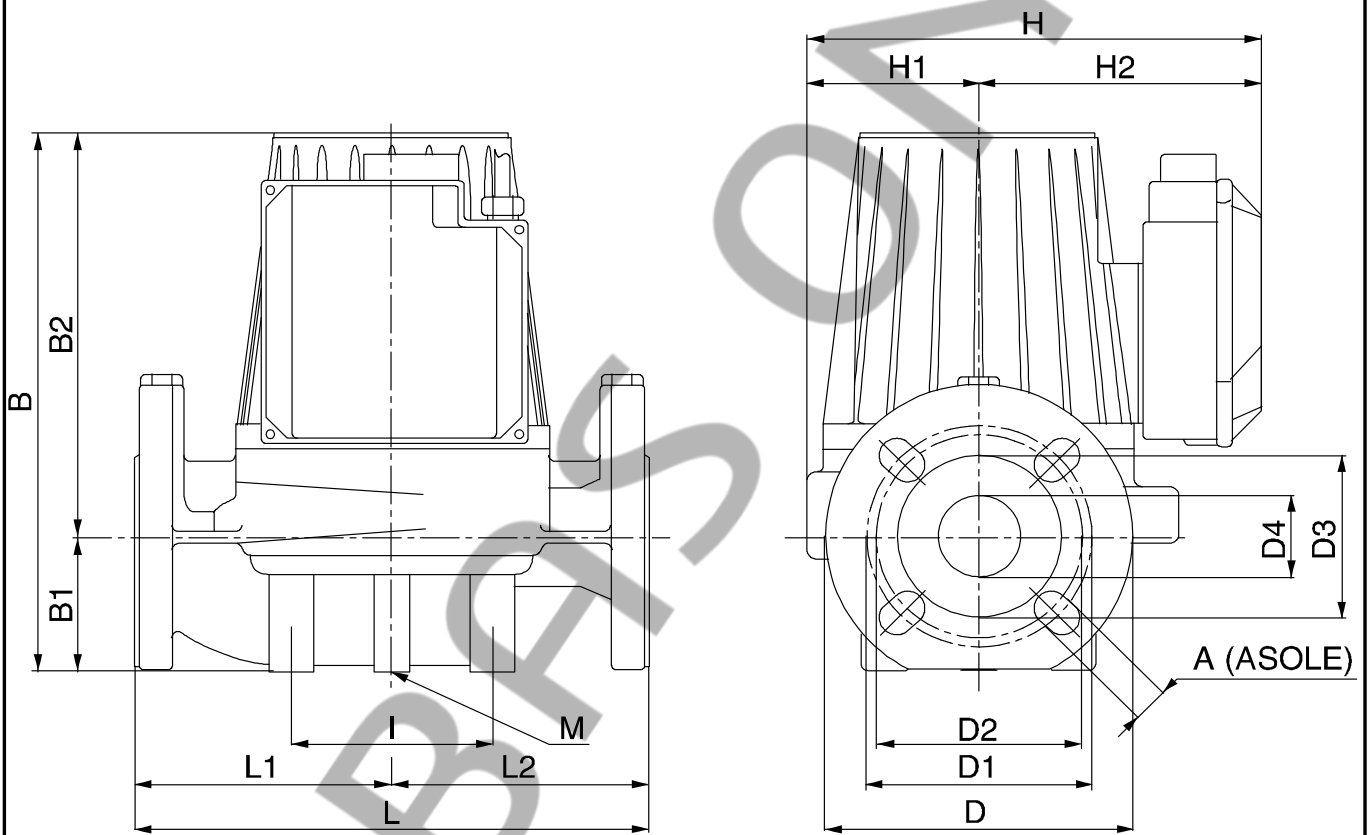
DAB PUMPS S.p.A.
Via Marco Polo, 14 - 35035 Mestrino (PD), Italy
Tel. +39 049 5125000 - Fax +39 049 5125950
www.dabpumps.com

Receiver

From

Society
Reference
Address
Phone
Fax
E-mail

BPH 180/360.80 T



Dimensions in mm

Pump connection

1	A	18	I	115			
2	B	404	I1	-			Suction
3	B1	97	I2	-			DN 80
4	B2	307	I3	-			PN 10
5	D	200	L	360			
6	D1	160	L1	170			
7	D2	150	L2	190			Discharge
8	D3	130	M	M12			DN 80
9	D4	80					PN 10
10	H	259					
11	H1	100					
12	H2	159					

MAIN_PROJECT_TITLE

BUSINESS_PROCESS_ID

OWNER

ISSUE_DATE