



DATA SHEET

DAB PUMPS S.p.A.
Via Marco Polo, 14 - 35035 Mestrino (PD), Italy
Tel. +39 049 5125000 - Fax +39 049 5125950
www.dabpumps.com

31/07/2016

Page 1 / 3

Receiver

From

Society
Reference
Address
Phone
Fax
E-mail

Item n° :

505948622

Model :

BPH 150/340.65 T

Pump data

Pressure rating : PN 10
Min. fluid temperature : -10 °C
Max. fluid temperature : 110 °C

Minimum suction head :

| | | | | | |
|------------------------|----|----|----|-----|-----|
| Temperature | °C | 75 | 90 | 110 | 120 |
| Minimum suction head : | m | 7 | 11 | 18 | -- |

Requested data

Flow :
Head :
Fluid (%) :
Fluid Temperature : 20 °C
Density : 998,3 kg/m³
Kinematic viscosity : 1,005 mm²/s
Vapor pressure :

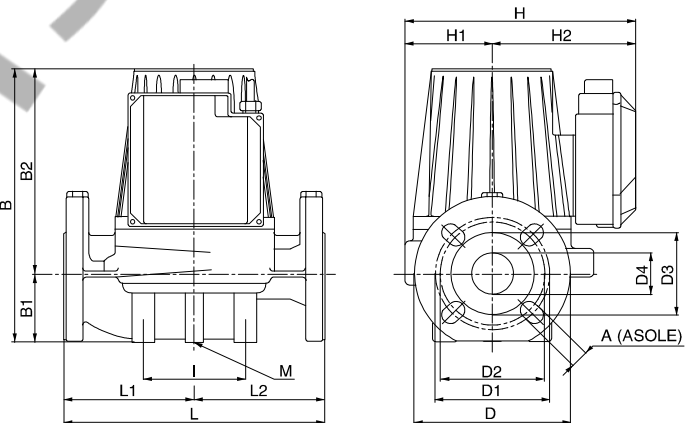
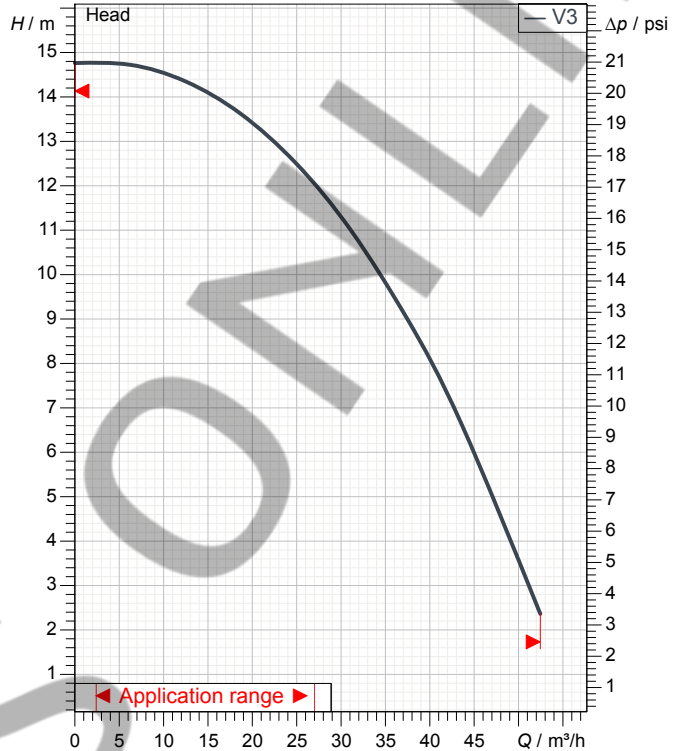
Hydraulic data (duty point)

Flow :
Head :

Materials

| | |
|---------------|------------------------------|
| Pump body | Cast iron 200 UNI ISO 185 |
| Impeller | Technopolymer B |
| Motor shaft | AISI 420 C |
| Air vent plug | Brass P Cu Zn40 Pb2 UNI 5705 |
| Seal ring | Ethylene propylene (EPDM) |
| Motor casing | Die cast aluminium |
| Stator jacket | AISI 321Bon. - AISI 304 |

Curve tolerance according to ISO 9906



Motor data

Motor brand : DAB
Power input P1 : 1,796 kW
Rated speed : 2800 1/min
Rated voltage : 3~ 400 V 50 Hz
Nominal current : 3,25 A
Degree of protection : IP 44

Dimensions in mm

| | | | | | | | |
|----|-----|----|-----|----|-----|----|-----|
| A | 18 | D1 | 145 | H1 | 100 | I3 | - |
| B | 384 | D2 | 130 | H2 | 159 | L | 340 |
| B1 | 82 | D3 | 110 | I | 100 | L1 | 170 |
| B2 | 302 | D4 | 65 | I1 | - | L2 | 170 |
| D | 185 | H | 259 | I2 | - | M | M12 |

Weight : 32,5 kg

Pump connection

Suction side : DN 65 / PN 10
Discharge side : DN 65 / PN 10



PERFORMANCE CURVES

31/07/2015

Page 2 / 3

DAB PUMPS S.p.A.
Via Marco Polo, 14 - 35035 Mestrino (PD), Italy
Tel. +39 049 5125000 - Fax +39 049 5125950
www.dabpumps.com

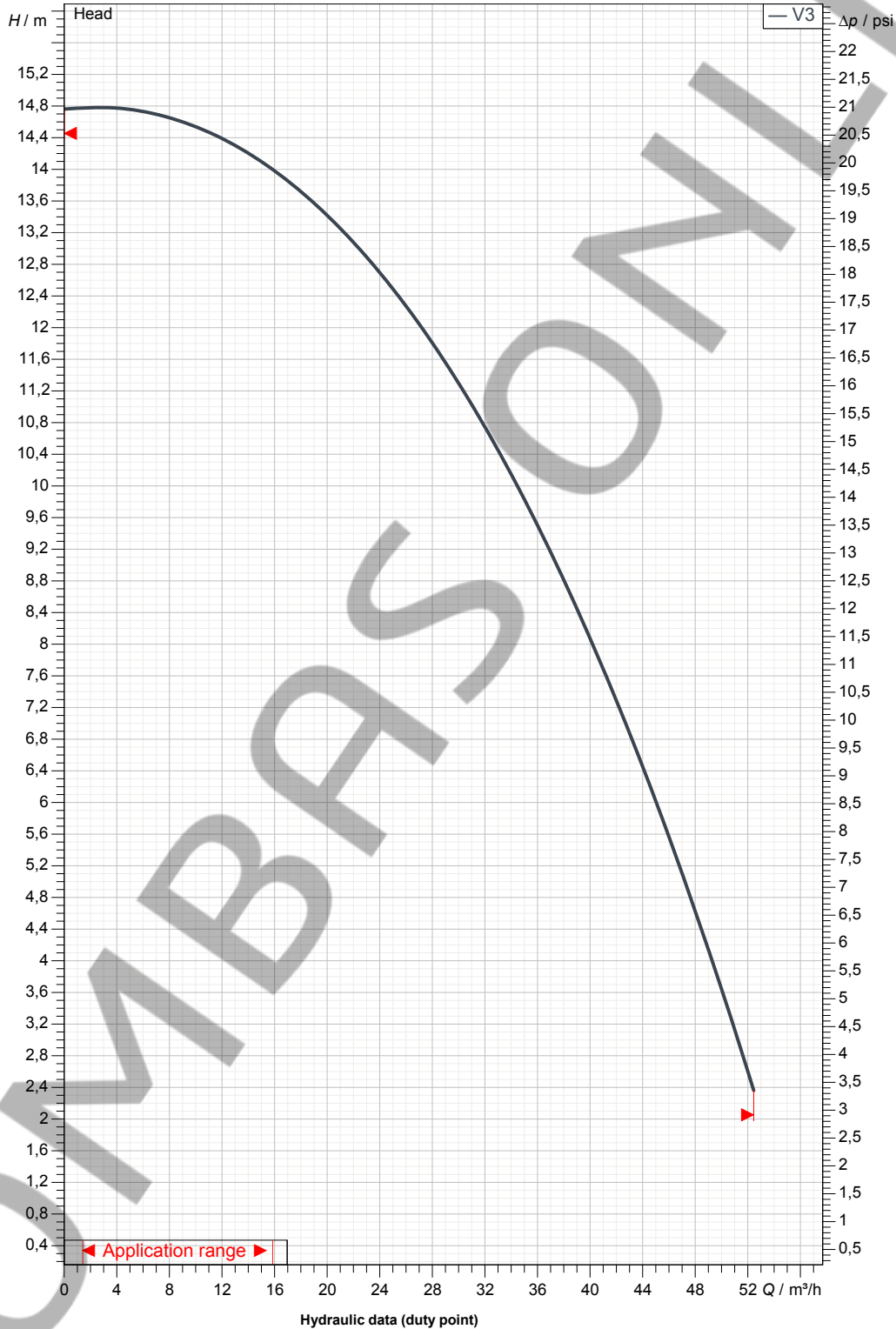
Receiver

From

Society
Reference
Address
Phone
Fax
E-mail

BPH 150/340.65 T

Curve tolerance according to ISO 9906



Suction side :
DN 65
PN 10

Discharge side :
DN 65
PN 10

Flow :

Head :

Rated speed :
2800 1/min

MAIN_PROJECT_TITLE

BUSINESS_PROCESS_IT

OWNER_

ISSUE_DATE



DIMENSIONAL DRAWING

31/07/2015

Page 3 / 3

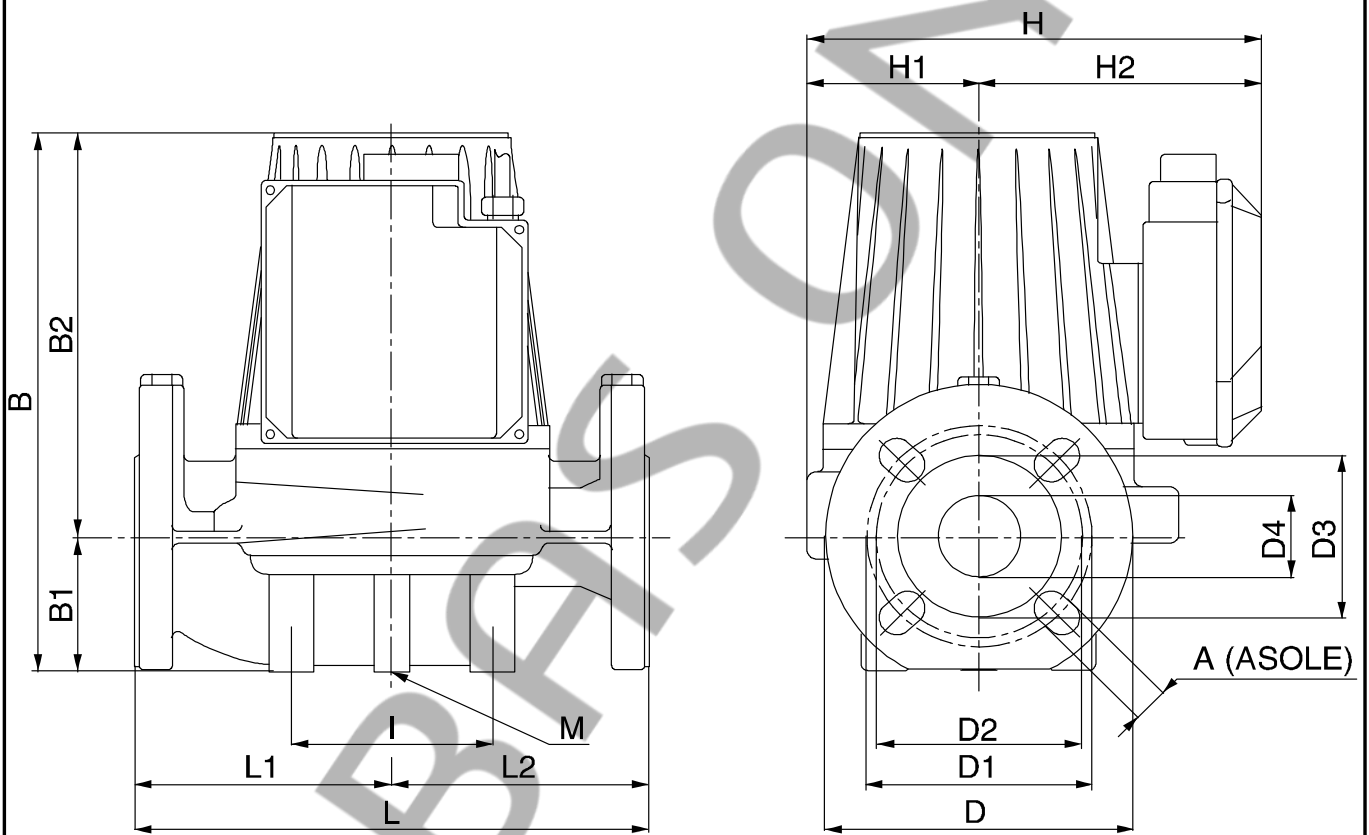
DAB PUMPS S.p.A.
Via Marco Polo, 14 - 35035 Mestrino (PD), Italy
Tel. +39 049 5125000 - Fax +39 049 5125950
www.dabpumps.com

Receiver

From

Society
Reference
Address
Phone
Fax
E-mail

BPH 150/340.65 T



Dimensions in mm

Pump connection

| | | | | | | | |
|----|----|-----|----|-----|--|--|-----------|
| 1 | A | 18 | I | 100 | | | |
| 2 | B | 384 | I1 | - | | | Suction |
| 3 | B1 | 82 | I2 | - | | | DN 65 |
| 4 | B2 | 302 | I3 | - | | | PN 10 |
| 5 | D | 185 | L | 340 | | | |
| 6 | D1 | 145 | L1 | 170 | | | |
| 7 | D2 | 130 | L2 | 170 | | | Discharge |
| 8 | D3 | 110 | M | M12 | | | DN 65 |
| 9 | D4 | 65 | | | | | PN 10 |
| 10 | H | 259 | | | | | |
| 11 | H1 | 100 | | | | | |
| 12 | H2 | 159 | | | | | |

MAIN_PROJECT_TITLE

BUSINESS_PROCESS_ID

OWNER

ISSUE_DATE