



**DATA SHEET**

DAB PUMPS S.p.A.  
Via Marco Polo, 14 - 35035 Mestrino (PD), Italy  
Tel. +39 049 5125000 - Fax +39 049 5125950  
www.dabpumps.com

31/07/2016

Page 1 / 3

**Receiver**

**From**

Society  
Reference  
Address  
Phone  
Fax  
E-mail

**Item n° :**

505900622

**Model :**

BMH 30/250.40 T

**Pump data**

Pressure rating : PN 10  
Min. fluid temperature : -10 °C  
Max. fluid temperature : 120 °C

**Minimum suction head :**

Temperature	°C	75	90	110	120
Minimum suction head :	m	0,9	4	--	18

**Requested data**

Flow :  
Head :  
Fluid (%) :  
Fluid Temperature : 20 °C  
Density : 998,3 kg/m³  
Kinematic viscosity : 1,005 mm²/s  
Vapor pressure :

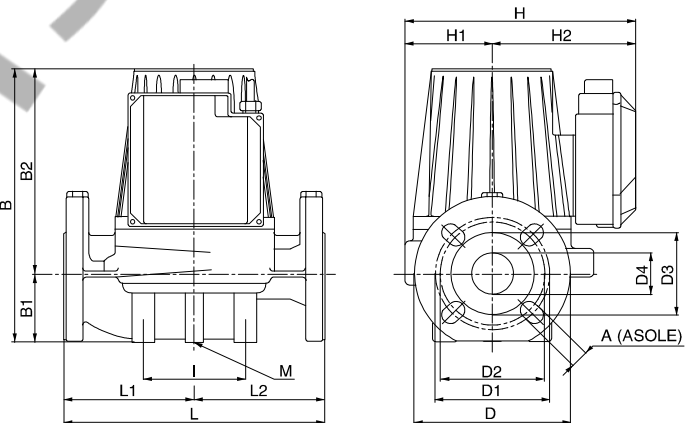
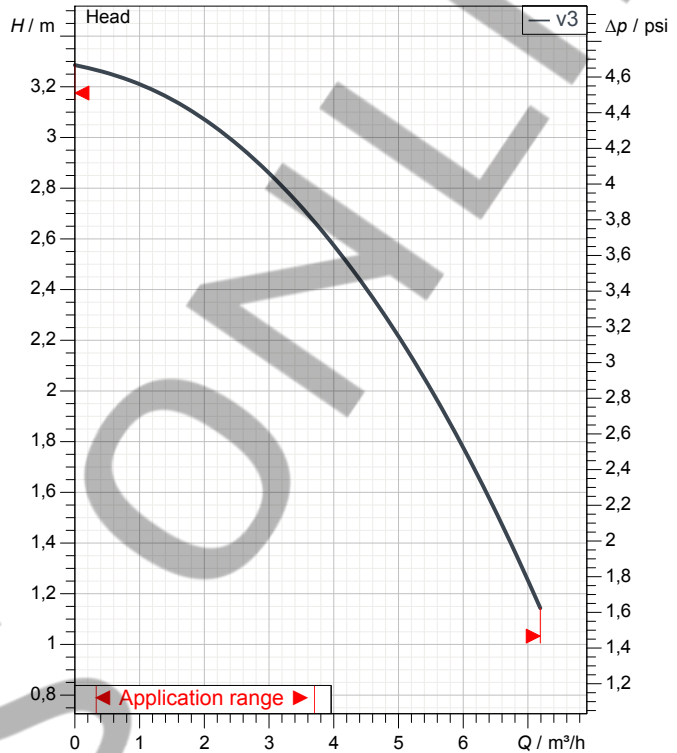
**Hydraulic data (duty point)**

Flow :  
Head :

**Materials**

Pump body	Cast iron 200 UNI ISO 185
Impeller	Technopolymer B
Motor shaft	AISI 420 C
Air vent plug	Brass P Cu Zn40 Pb2 UNI 5705
Seal ring	Ethylene propylene (EPDM)
Motor casing	Die cast aluminium
Stator jacket	AISI 321Bon. - AISI 304

**Curve tolerance according to ISO 9906**



**Motor data**

Motor brand : DAB  
Power input P1 : 0,192 kW  
Rated speed : 1440 1/min  
Rated voltage : 3~ 400 V 50 Hz  
Nominal current : 0,78 A  
Degree of protection : IP 44

**Dimensions in mm**

A	18	D1	110	H1	83	I3	-
B	266	D2	100	H2	138	L	250
B1	66	D3	80	I	100	L1	125
B2	200	D4	40	I1	-	L2	125
D	150	H	221	I2	-	M	M10

**Weight :** 17,5 kg

**Pump connection**

Suction side : DN 40 / PN 10  
Discharge side : DN 40 / PN 10



**PERFORMANCE CURVES**

31/07/2015

Page 2 / 3

DAB PUMPS S.p.A.  
Via Marco Polo, 14 - 35035 Mestrino (PD), Italy  
Tel. +39 049 5125000 - Fax +39 049 5125950  
www.dabpumps.com

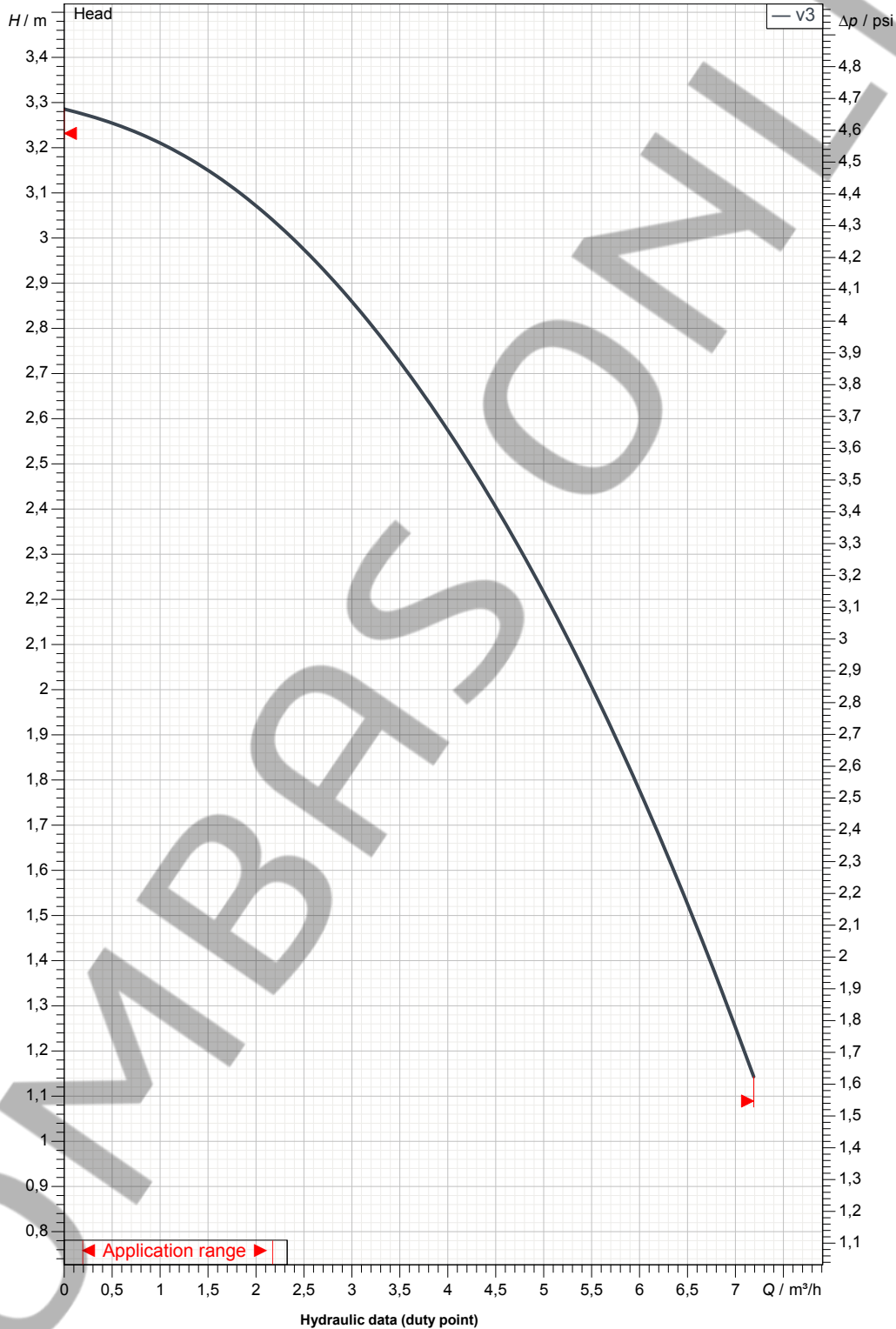
Receiver

From

Society  
Reference  
Address  
Phone  
Fax  
E-mail

**BMH 30/250.40 T**

Curve tolerance according to ISO 9906



Suction side :  
DN 40  
PN 10

Discharge side :  
DN 40  
PN 10

Flow :

Head :

Rated speed :  
1440 1/min

MAIN\_PROJECT\_TITLE

BUSINESS\_PROCESS\_IC

OWNER\_

ISSUE\_DATE



**DIMENSIONAL DRAWING**

31/07/2015

Page 3 / 3

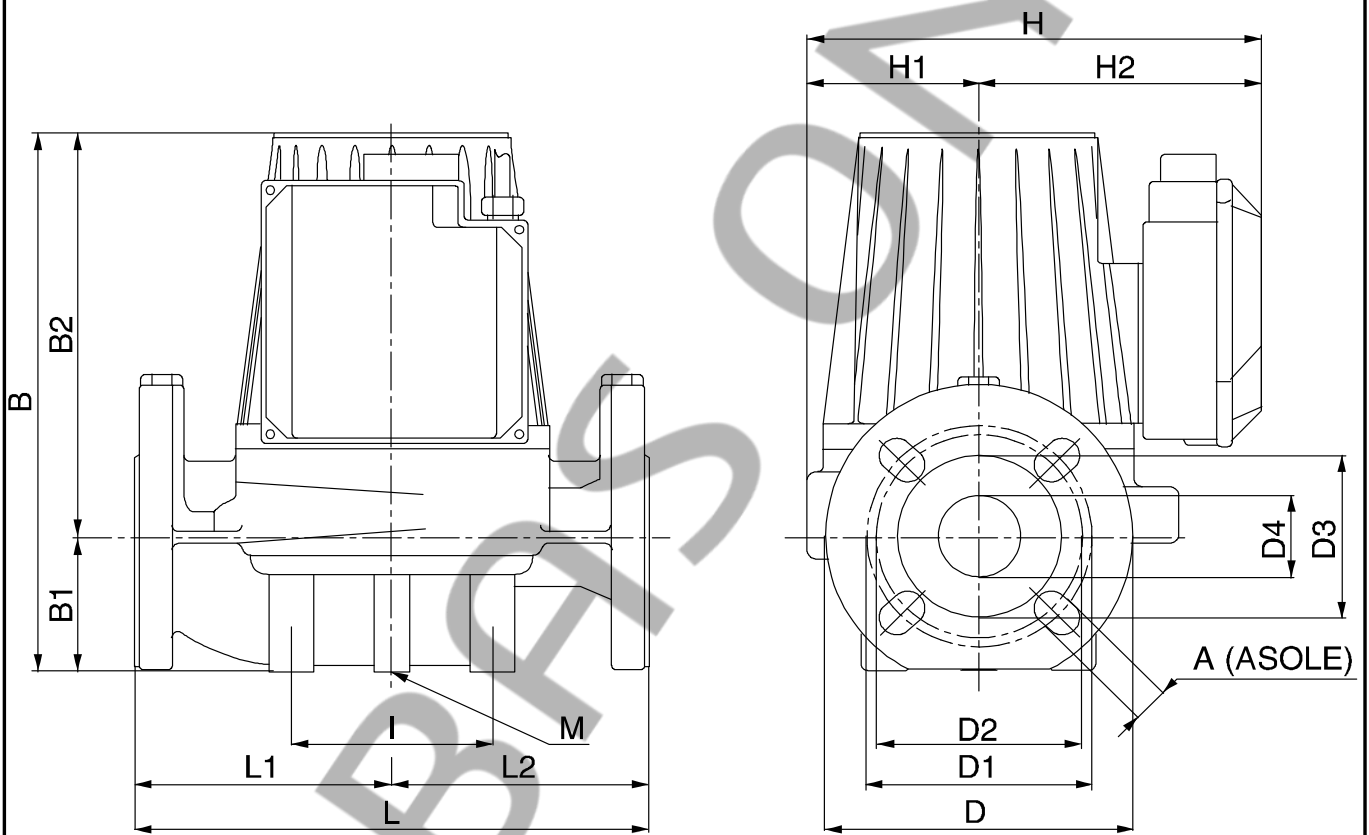
DAB PUMPS S.p.A.  
Via Marco Polo, 14 - 35035 Mestrino (PD), Italy  
Tel. +39 049 5125000 - Fax +39 049 5125950  
www.dabpumps.com

Receiver

From

Society  
Reference  
Address  
Phone  
Fax  
E-mail

**BMH 30/250.40 T**



**Dimensions in mm**

**Pump connection**

1	A	18	I	100			
2	B	266	I1	-			Suction
3	B1	66	I2	-			DN 40
4	B2	200	I3	-			PN 10
5	D	150	L	250			
6	D1	110	L1	125			
7	D2	100	L2	125			Discharge
8	D3	80	M	M10			DN 40
9	D4	40					PN 10
10	H	221					
11	H1	83					
12	H2	138					

MAIN_PROJECT_TITLE	BUSINESS_PROCESS_ID	OWNER	ISSUE_DATE
--------------------	---------------------	-------	------------