



DATA SHEET

DAB PUMPS S.p.A.
Via Marco Polo, 14 - 35035 Mestrino (PD), Italy
Tel. +39 049 5125000 - Fax +39 049 5125950
www.dabpumps.com

31/07/2016

Page 1 / 3

Receiver

From

Society
Reference
Address
Phone
Fax
E-mail

Item n° :

505808001

Model :

A 110/180 M

Pump data

Pressure rating : 10 bar (1000 KPa)
Min. fluid temperature : -10 °C
Max. fluid temperature : 110 °C

Minimum suction head :

Temperature °C 90
Minimum suction head : m 2,5

Requested data

Flow :
Head :
Fluid (%) :
Fluid Temperature : 20 °C
Density : 998,3 kg/m³
Kinematic viscosity : 1,005 mm²/s
Vapor pressure :

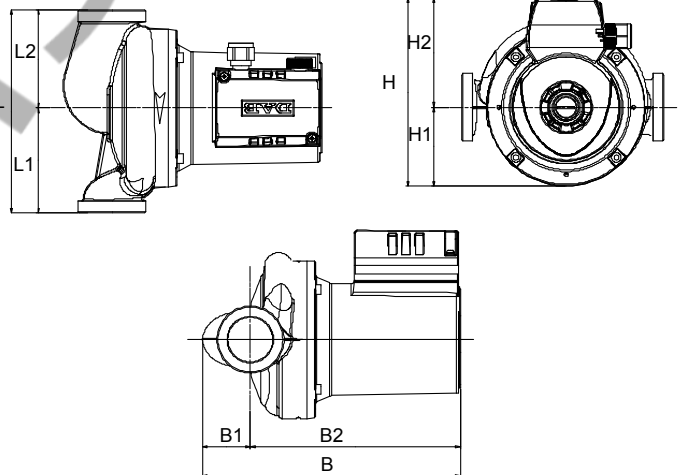
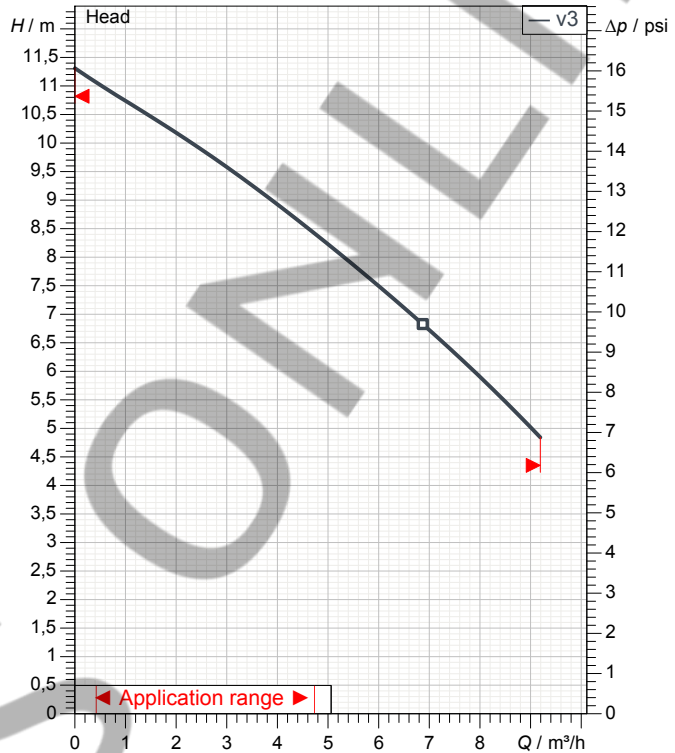
Hydraulic data (duty point)

Flow :
Head :

Materials

Pump body Cast iron
Impeller Technopolymer
Motor shaft Stainless steel
Air vent plug Brass
Seal ring Etylene propylene
Motor casing Die cast aluminium
Stator jacket Stainless steel

Curve tolerance according to ISO 9906



Motor data

Motor brand : DAB
Power input P1 : 0,41 kW
Rated speed : 2746 1/min
Rated voltage : 1~ 230 V 50 Hz
Nominal current : 1,77 A
Degree of protection : IP 44

Dimensions in mm

| | | | | | | | |
|----|----------|----|-----|--|--|--|--|
| B | 229 | H1 | 70 | | | | |
| B1 | 42 | H2 | 97 | | | | |
| B2 | 186 | L | 180 | | | | |
| F | 1 1/2 "C | L1 | 93 | | | | |
| H | 167 | L2 | 87 | | | | |

Weight : 5,3 kg

Pump connection

Suction side : 1 " 1/2 / 10 bar (1000 KPa)
Discharge side : 1 " 1/2 / 10 bar (1000 KPa)



PERFORMANCE CURVES

31/07/2015

Page 2 / 3

DAB PUMPS S.p.A.
Via Marco Polo, 14 - 35035 Mestrino (PD), Italy
Tel. +39 049 5125000 - Fax +39 049 5125950
www.dabpumps.com

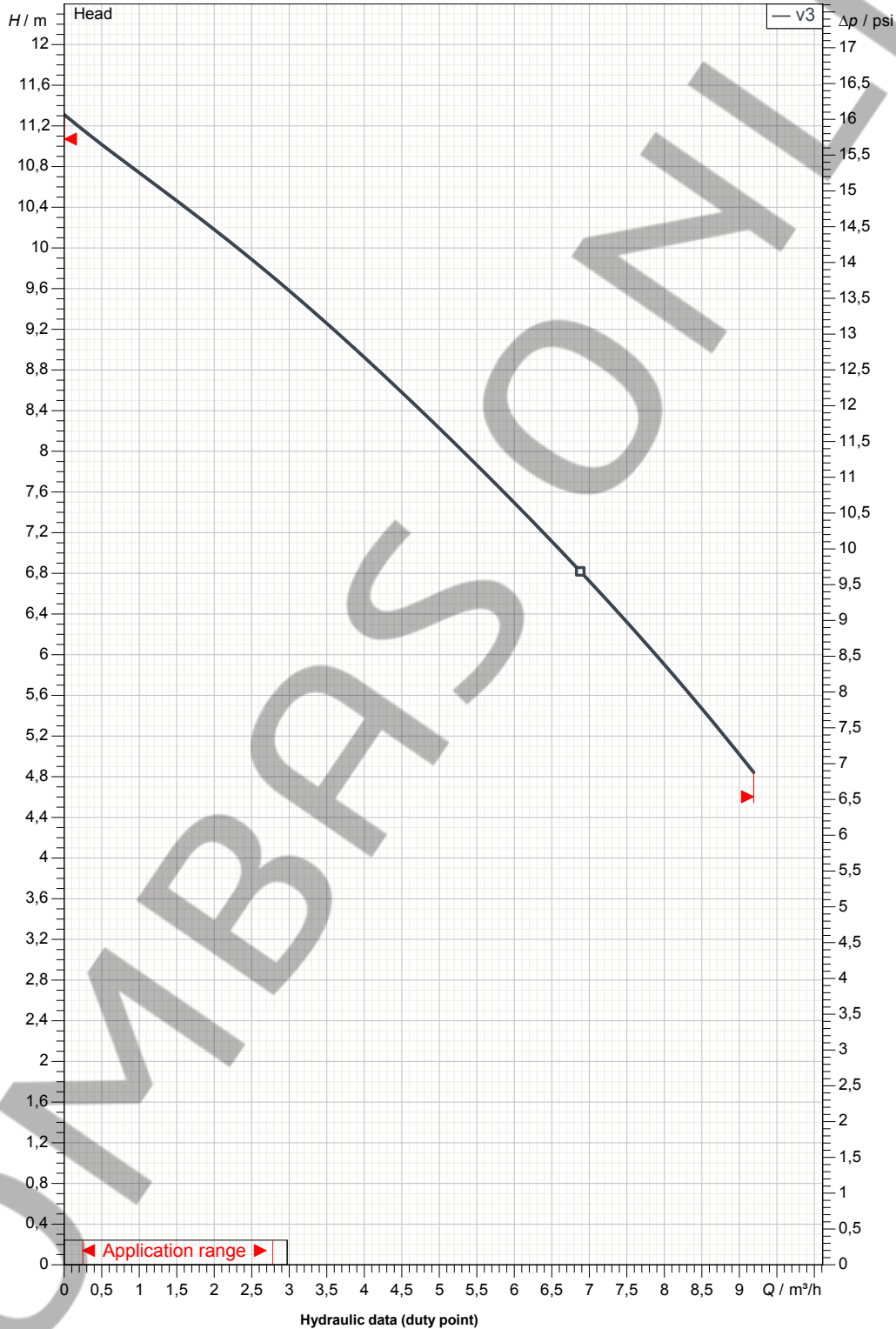
Receiver

From

Society
Reference
Address
Phone
Fax
E-mail

A 110/180 M

Curve tolerance according to ISO 9906



Suction side :
1" 1/2
10 bar (1000 KPa)

Discharge side :
1" 1/2
10 bar (1000 KPa)

Flow :

Head :

Rated speed :
2746 1/min

MAIN_PROJECT_TITLE

BUSINESS_PROCESS_IC

OWNER_

ISSUE_DATE



DIMENSIONAL DRAWING

DAB PUMPS S.p.A.
Via Marco Polo, 14 - 35035 Mestrino (PD), Italy
Tel. +39 049 5125000 - Fax +39 049 5125950
www.dabpumps.com

31/07/2015

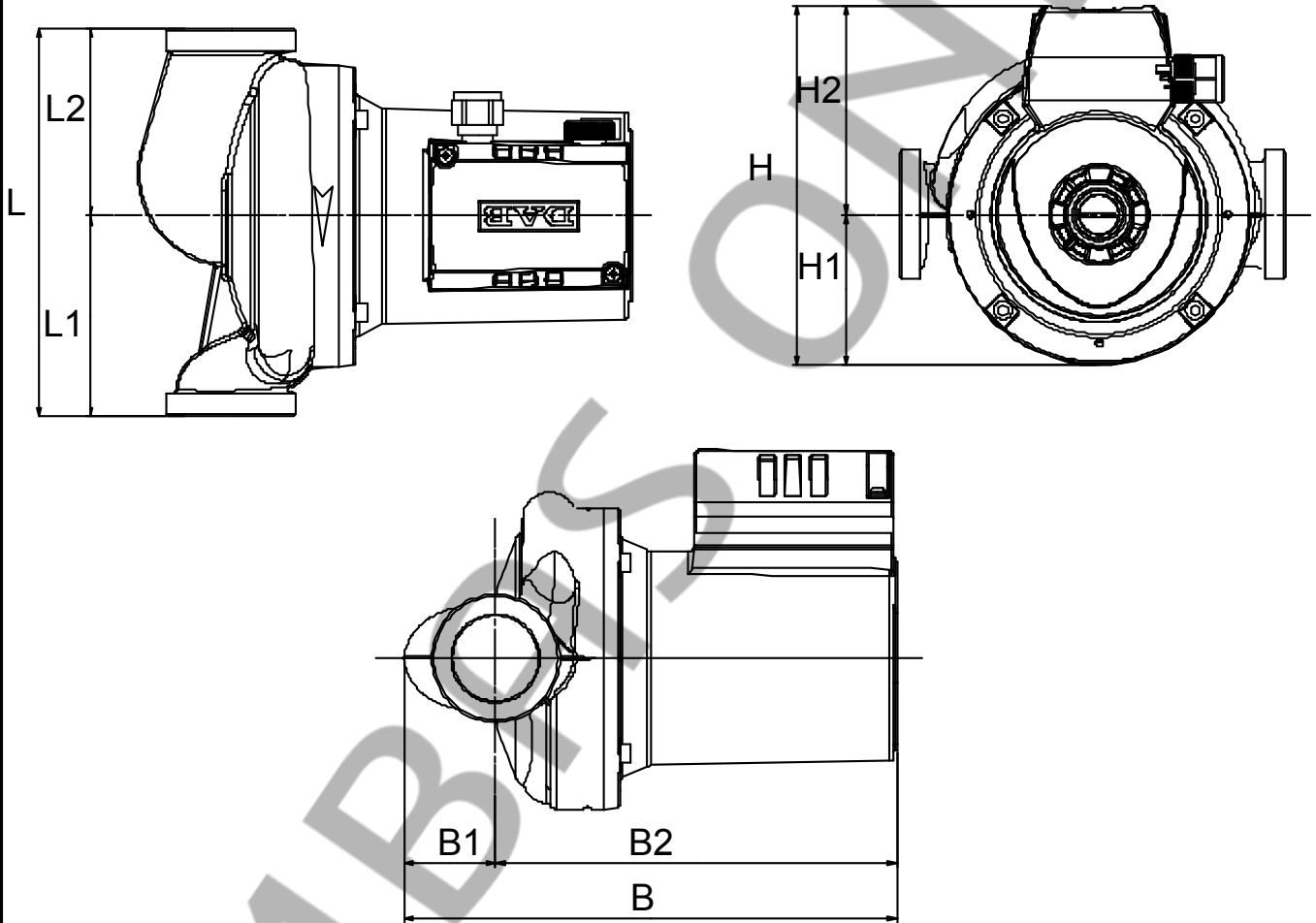
Page 3 / 3

Receiver

From

Society
Reference
Address
Phone
Fax
E-mail

A 110/180 M



Dimensions in mm

| | | |
|----|----|----------|
| 1 | B | 229 |
| 2 | B1 | 42 |
| 3 | B2 | 186 |
| 4 | F | 1 1/2 "G |
| 5 | H | 167 |
| 6 | H1 | 70 |
| 7 | H2 | 97 |
| 8 | L | 180 |
| 9 | L1 | 93 |
| 10 | L2 | 87 |

Pump connection

Suction
1 " 1/2
10 bar (1000 KPa)

Discharge
1 " 1/2
10 bar (1000 KPa)

MAIN_PROJECT_TITLE

BUSINESS_PROCESS_ID

OWNER_

ISSUE_DATE